



***PRECAST CONCRETE
PRODUCTS LLC.***

PRODUCT CATALOG

- ***Septic Tanks***
- ***Aerobic Systems***
- ***Aerobic Supplies***
- ***Grease Traps***
- ***Septic Tanks***
- ***Aerobic Systems***
- ***Aerobic Supplies***
- ***Grease Traps***

***1250 FM 1485 RD.
Conroe, TX 77301***



***PRECAST CONCRETE
PRODUCTS LLC.***

Table of Contents

- s



***PRECAST CONCRETE
PRODUCTS LLC.***

***GRATE INLETS
TYPE A INLETS***

12"X12" GRATE INLETS

Curb Top
425lbs

Frame & Grate
130lbs

Mid-Section
600lbs

Riser
6" - 525lbs
12" - 1,050lbs

Base
425lbs

SPECIFICATIONS

Manufacturing: ASTM C-913

Concrete: 4,500 PSI at 28 days

Steel: ASTM A-615 grade 60

Structural Design: AASHTO HS-20



**PRECAST CONCRETE
PRODUCTS LLC.**

18"X18" GRATE INLETS

Curb Top
425lbs

Frame & Grate
130lbs

Mid-Section
600lbs

Riser
6" - 525lbs
12" - 1,050lbs

Base
425lbs

SPECIFICATIONS

Manufacturing: ASTM C-913

Concrete: 4,500 PSI at 28 days

Steel: ASTM A-615 grade 60

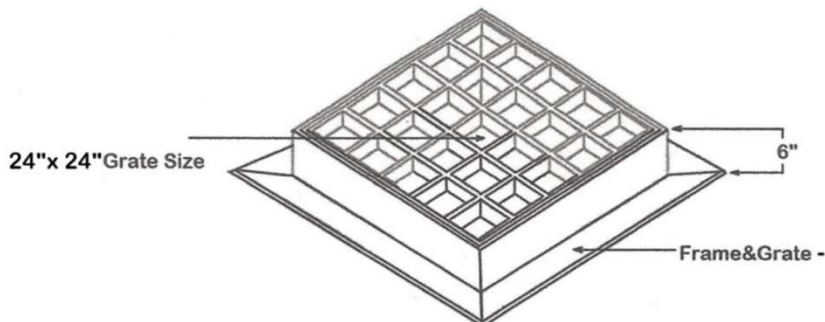
Structural Design: AASHTO HS-20



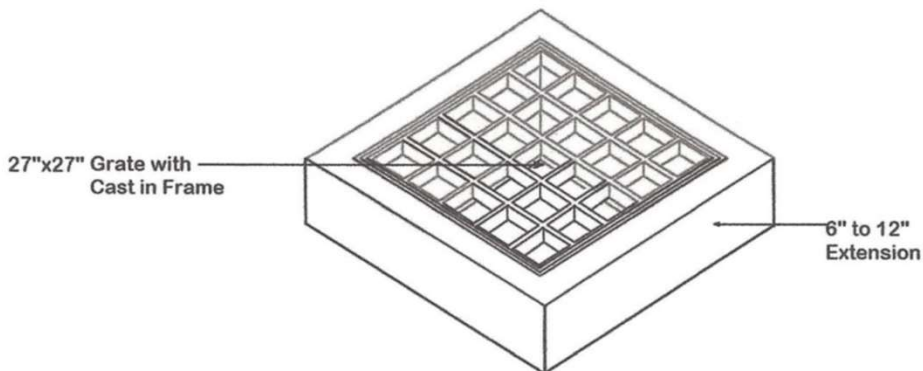
**PRECAST CONCRETE
PRODUCTS LLC.**

24"X24" GRATE INLETS

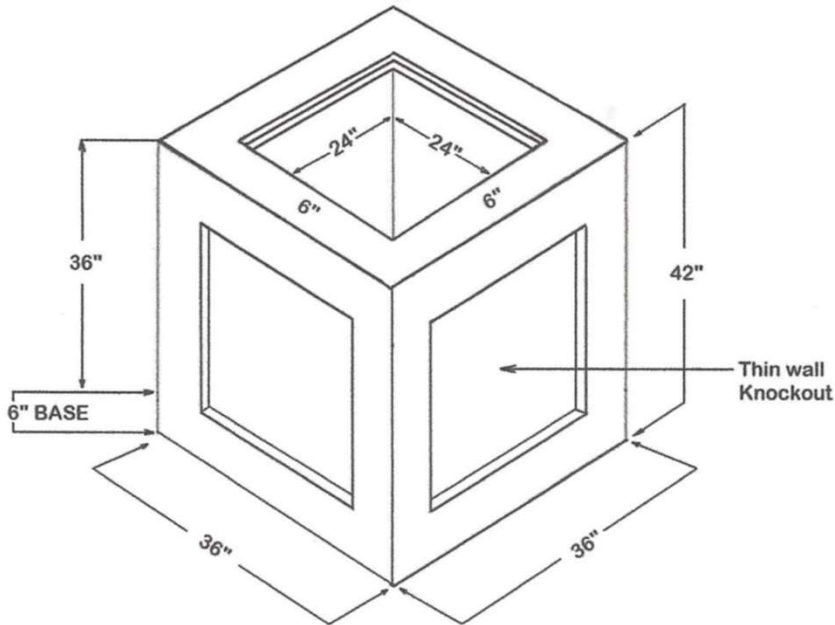
"Type A" Inlet Grate
195lbs



Grate
143lbs



Riser
6" - 375lbs
12" - 750lbs



Base
2,325lbs

SPECIFICATIONS

Manufacturing: ASTM C-913

Concrete: 4,500 PSI at 28 days

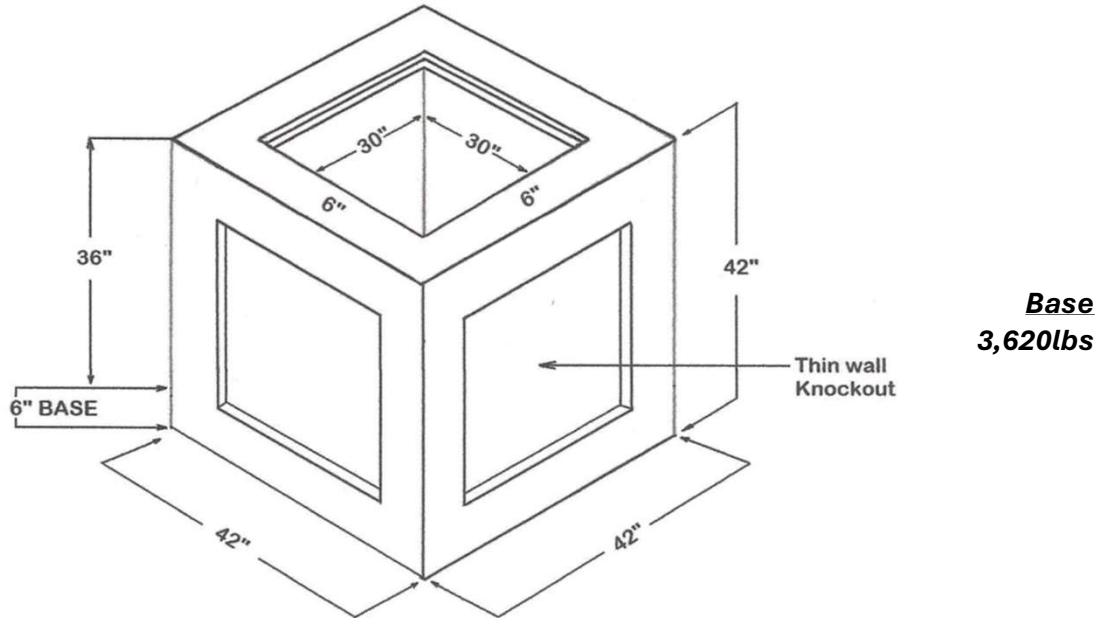
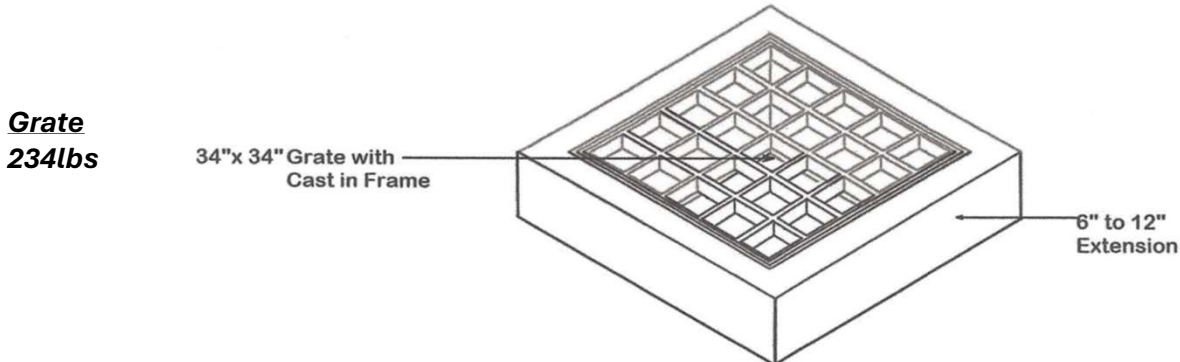
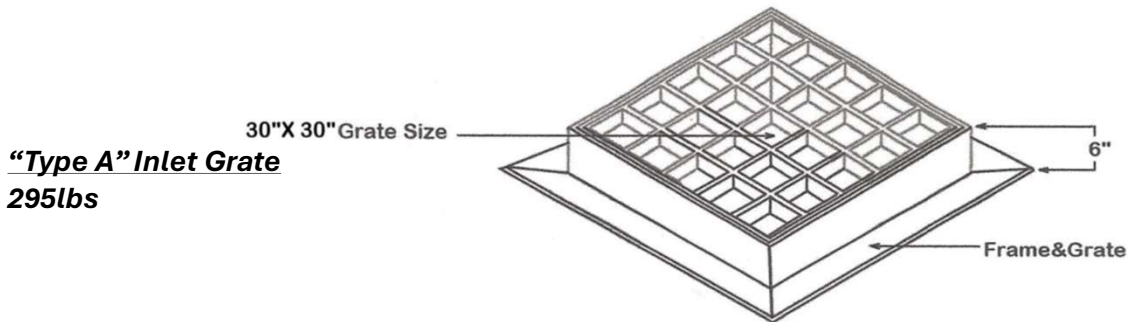
Steel: ASTM A-615 grade 60

Structural Design: AASHTO HS-20



**PRECAST CONCRETE
PRODUCTS LLC.**

30"X30" GRATE INLETS



SPECIFICATIONS

Manufacturing: ASTM C-913

Concrete: 4,500 PSI at 28 days

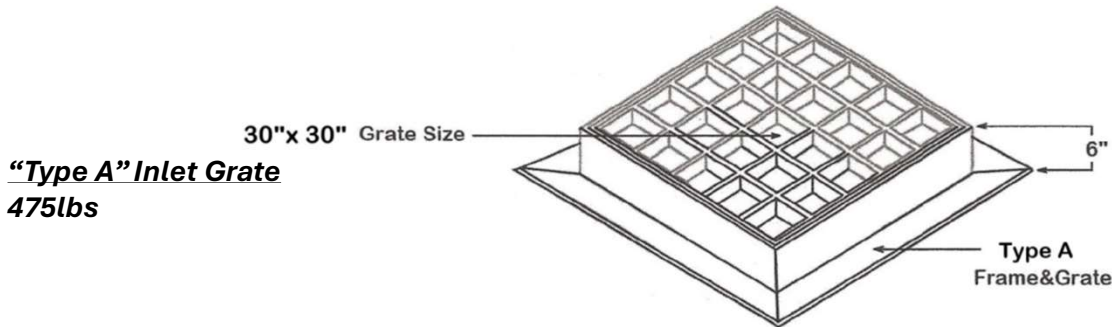
Steel: ASTM A-615 grade 60

Structural Design: AASHTO HS-20

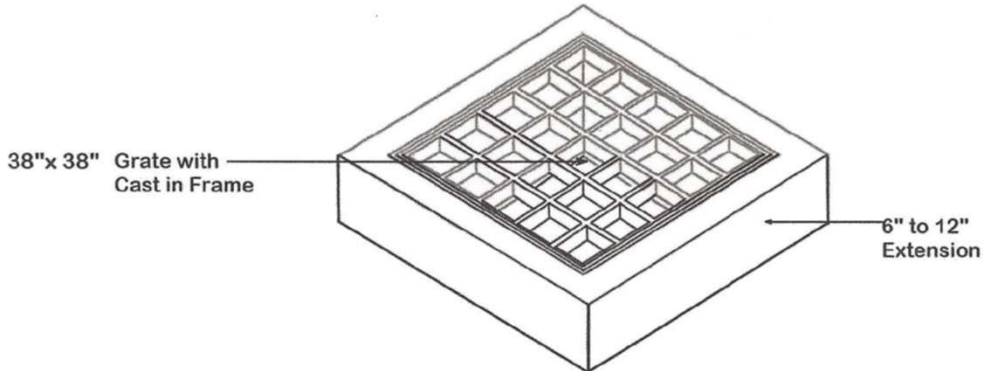


**PRECAST CONCRETE
PRODUCTS LLC.**

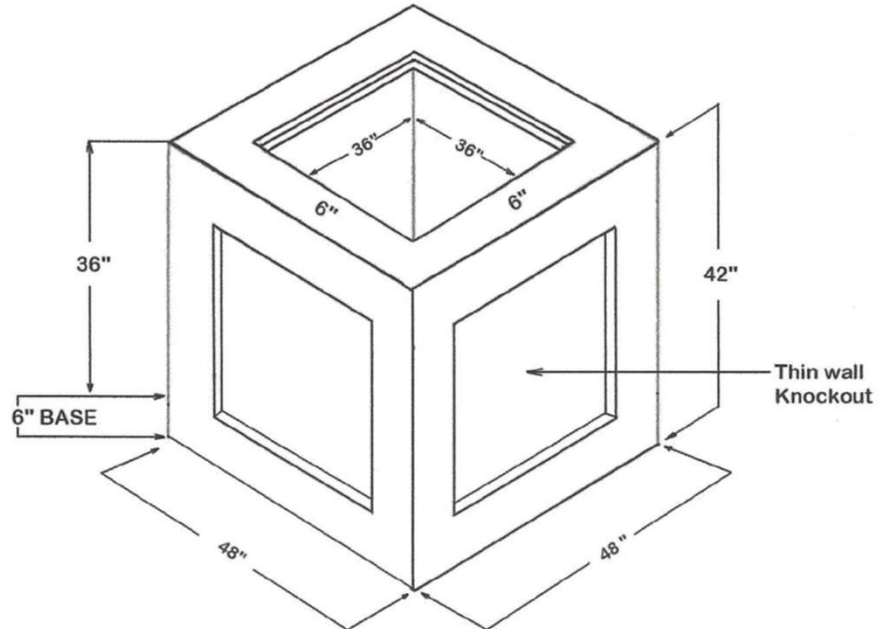
36"X36" GRATE INLETS



Grate
375lbs



Riser
6" - 525lbs
12" - 1,050lbs



Base
4,350lbs

SPECIFICATIONS

Manufacturing: ASTM C-913

Concrete: 4,500 PSI at 28 days

Steel: ASTM A-615 grade 60

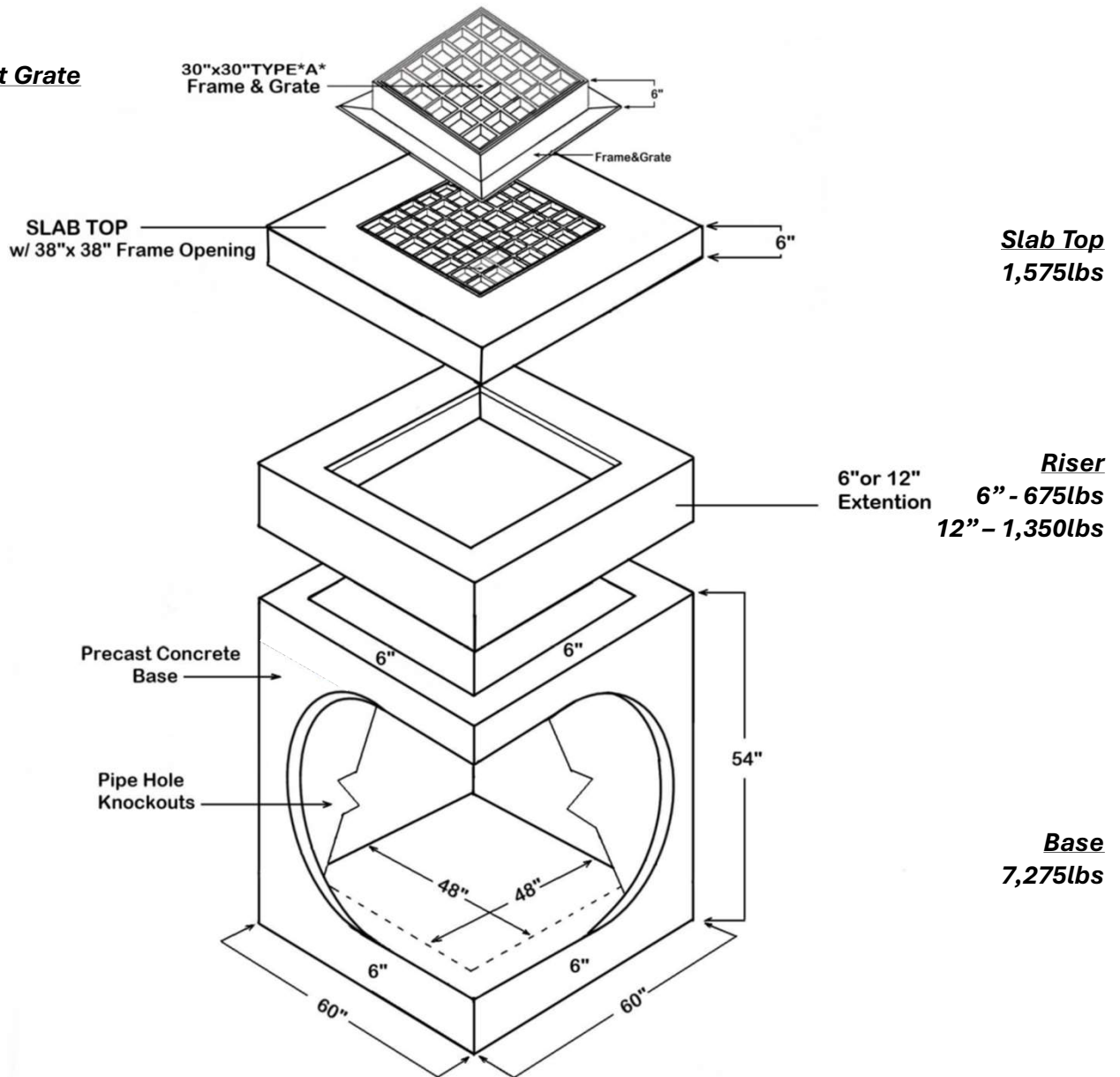
Structural Design: AASHTO HS-20



**PRECAST CONCRETE
PRODUCTS LLC.**

48"X48" GRATE INLETS

"Type A" Inlet Grate
475lbs



SPECIFICATIONS

Manufacturing: ASTM C-913

Concrete: 4,500 PSI at 28 days

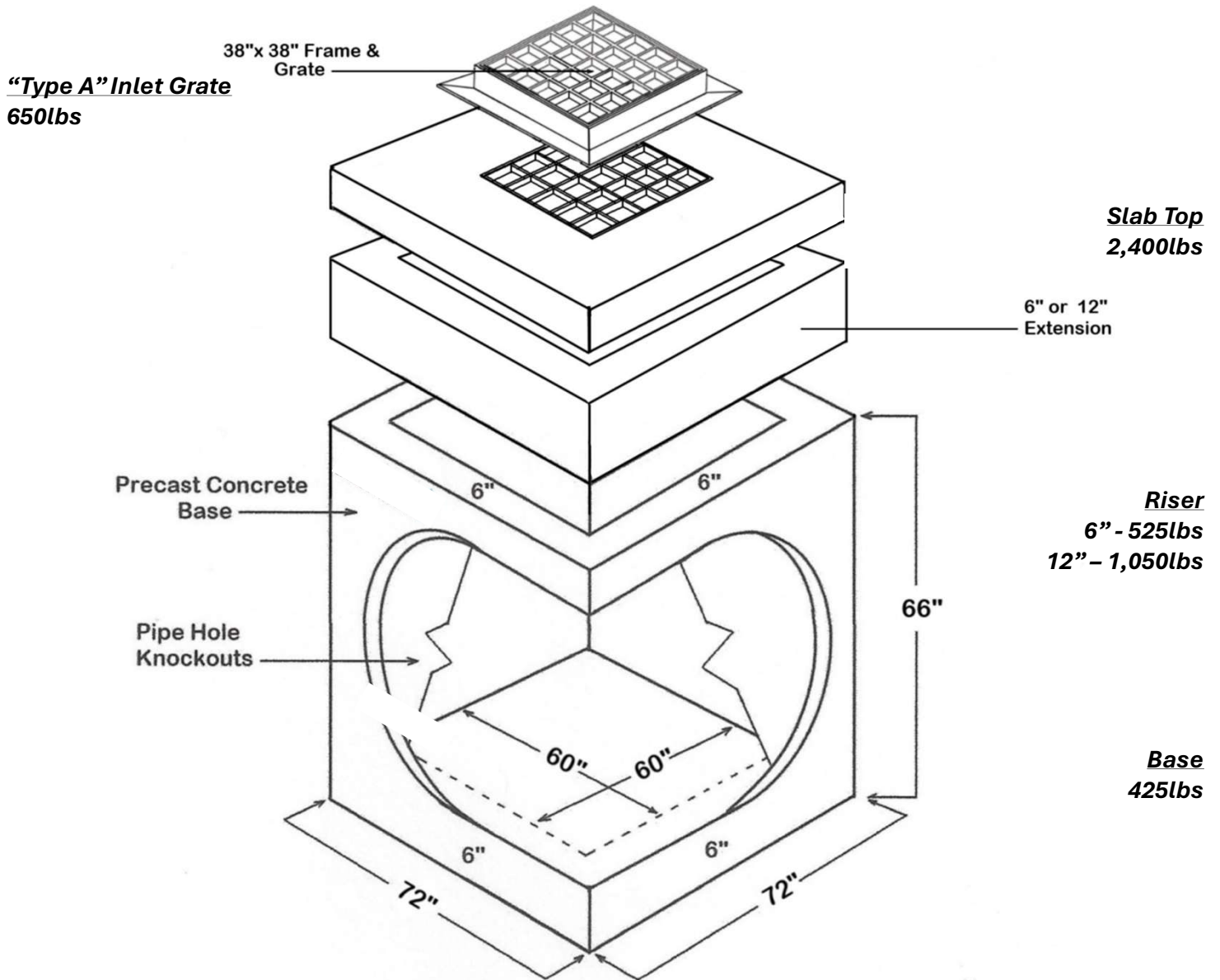
Steel: ASTM A-615 grade 60

Structural Design: AASHTO HS-20



**PRECAST CONCRETE
PRODUCTS LLC.**

60"X60" GRATE INLETS



SPECIFICATIONS

Manufacturing: ASTM C-913

Concrete: 4,500 PSI at 28 days

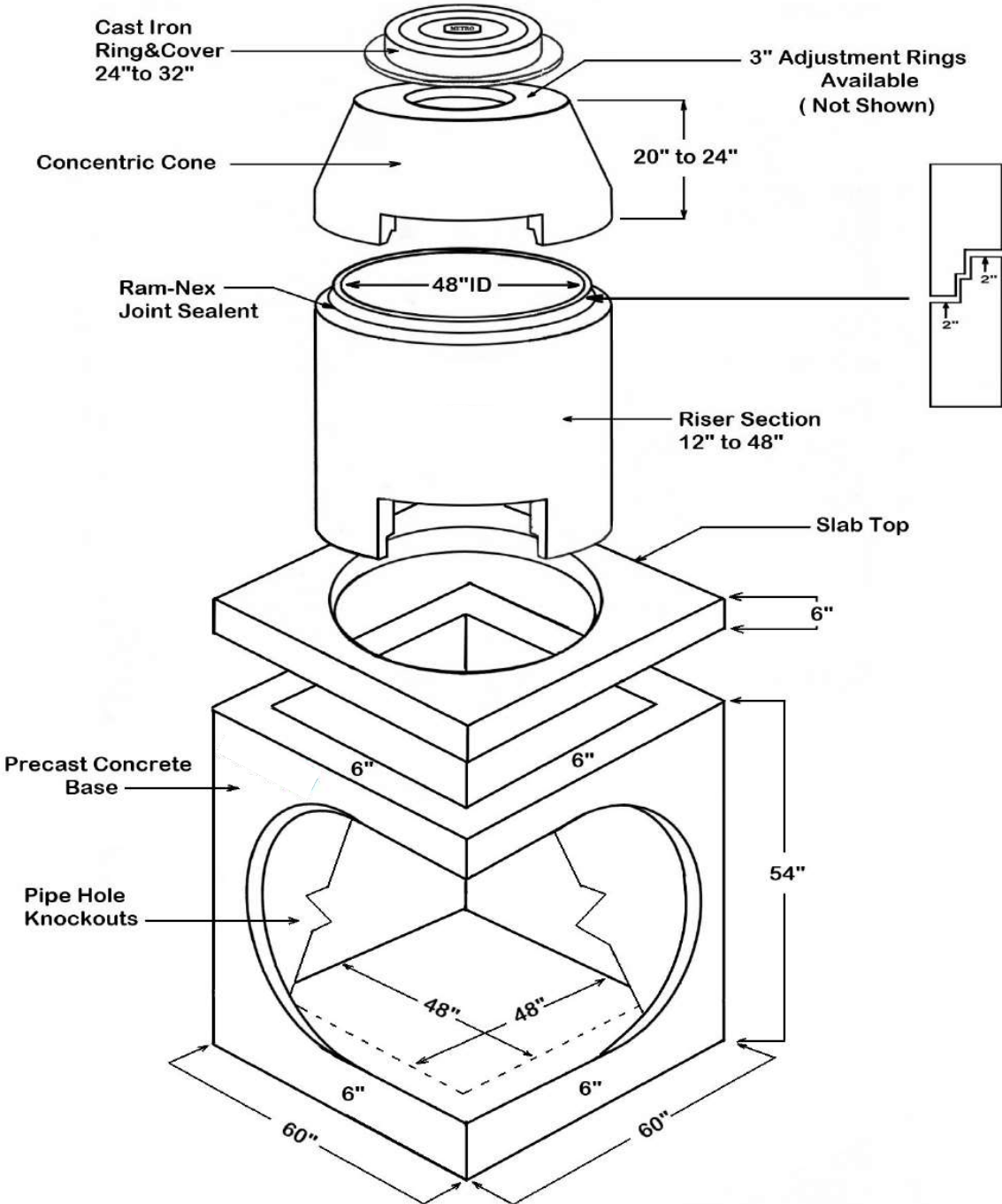
Steel: ASTM A-615 grade 60

Structural Design: AASHTO HS-20



**PRECAST CONCRETE
PRODUCTS LLC.**

TYPE "C" 48"X48" STORM MANHOLE

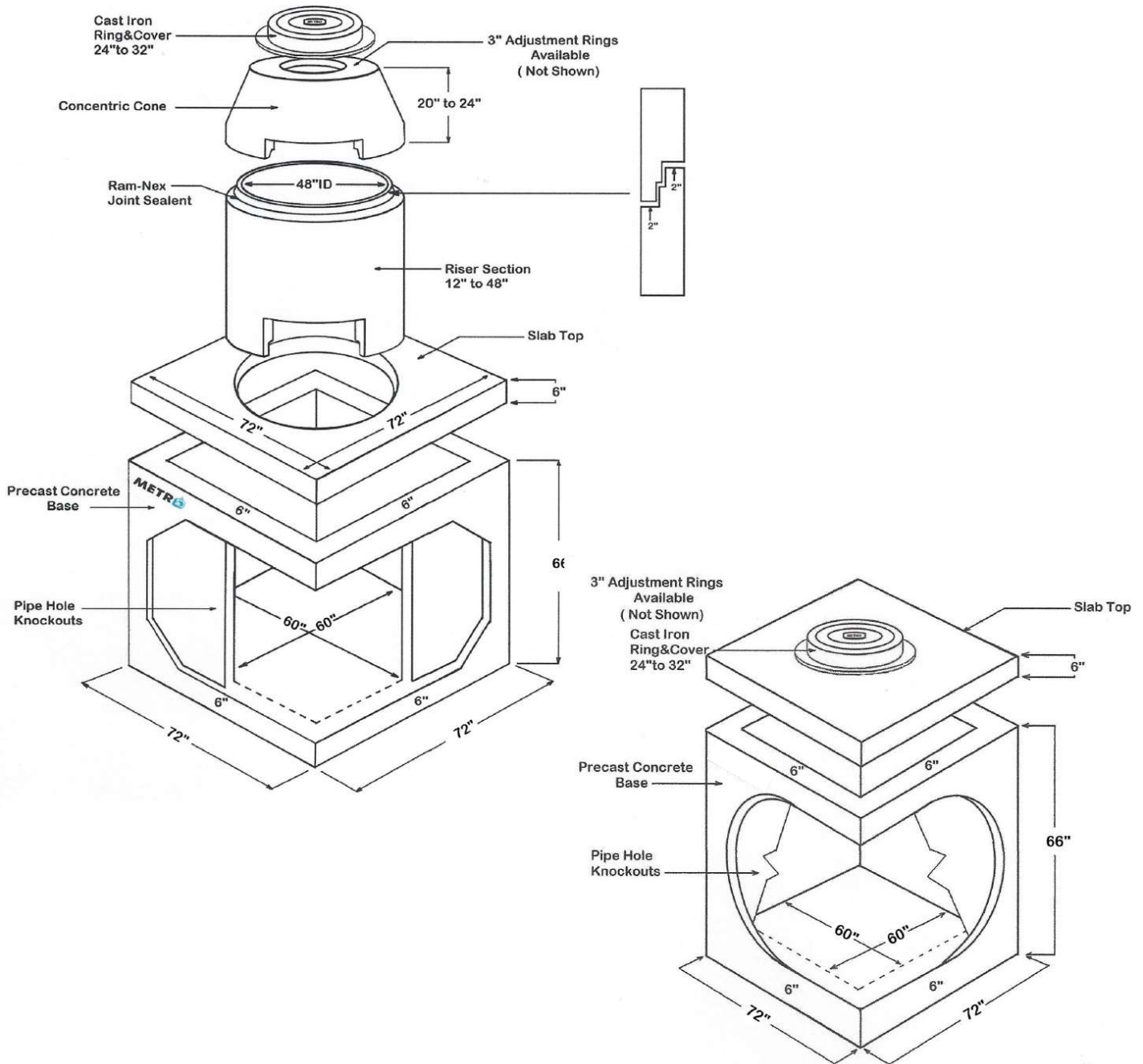


SPECIFICATIONS

Manufacturing: ASTM C-913
 Concrete: 4,500 PSI at 28 days
 Steel: ASTM A-615 grade 60
 Structural Design: AASHTO HS-20



Type "C" 60"X60" STORM MANHOLE



SPECIFICATIONS

Manufacturing: ASTM C-913

Concrete: 4,500 PSI at 28 days

Steel: ASTM A-615 grade 60

Structural Design: AASHTO HS-20



**PRECAST CONCRETE
PRODUCTS LLC.**



***PRECAST CONCRETE
PRODUCTS LLC.***

***JUNCTION BOXES
TYPE A JUNCTION BOXES***

18"X18"
JUNCTION BOXES

SPECIFICATIONS

Manufacturing: ASTM C-913

Concrete: 4,500 PSI at 28 days

Steel: ASTM A-615 grade 60

Structural Design: AASHTO HS-20



**PRECAST CONCRETE
PRODUCTS LLC.**

24"X24"
JUNCTION BOXES

SPECIFICATIONS

Manufacturing: ASTM C-913

Concrete: 4,500 PSI at 28 days

Steel: ASTM A-615 grade 60

Structural Design: AASHTO HS-20



**PRECAST CONCRETE
PRODUCTS LLC.**

30"X30"
JUNCTION BOXES

SPECIFICATIONS

Manufacturing: ASTM C-913

Concrete: 4,500 PSI at 28 days

Steel: ASTM A-615 grade 60

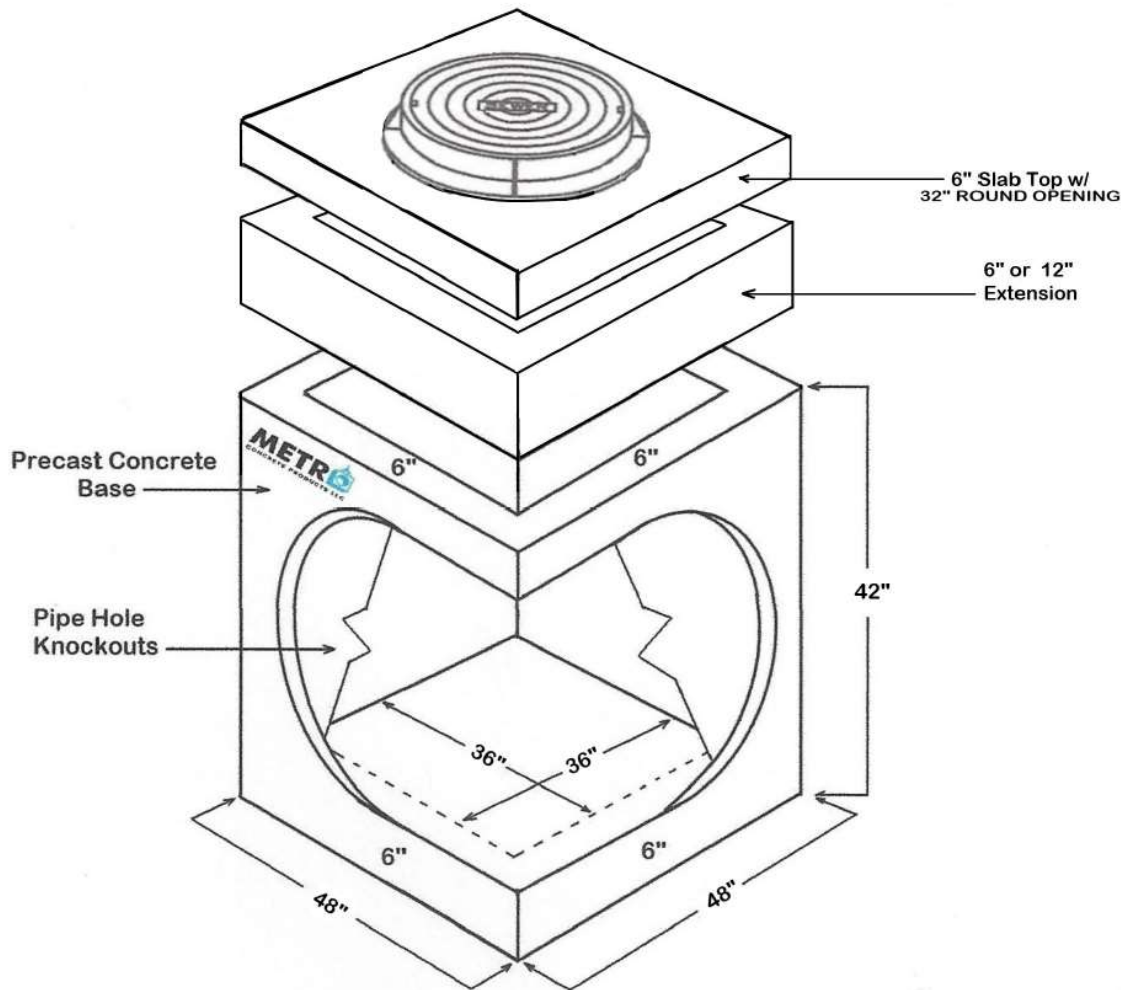
Structural Design: AASHTO HS-20



**PRECAST CONCRETE
PRODUCTS LLC.**

Type (C) 36"X36" JUNCTION BOXES

NOTE:
32" ADJ. RINGS
AVAILABLE



SPECIFICATIONS

Manufacturing: ASTM C-913

Concrete: 4,500 PSI at 28 days

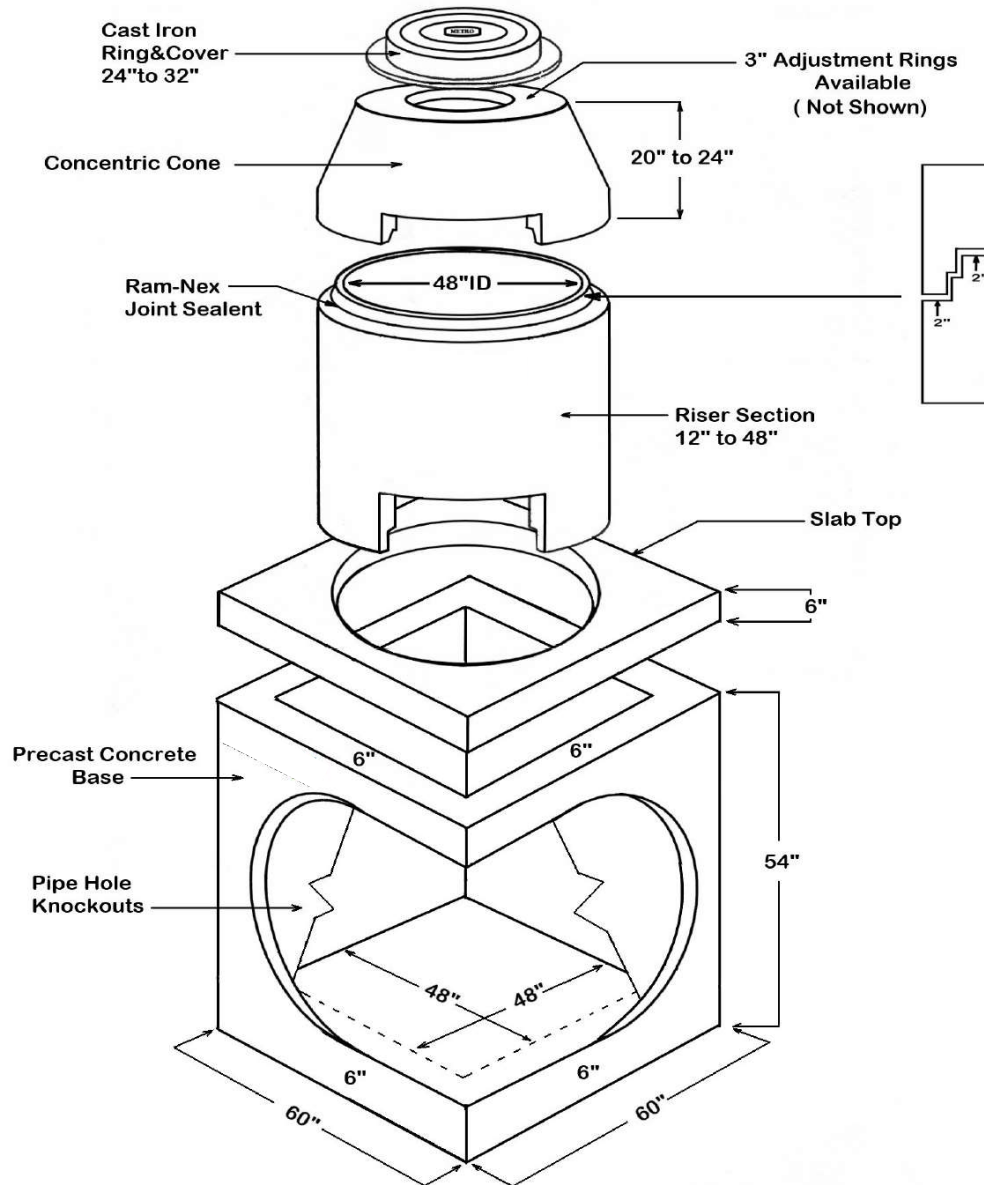
Steel: ASTM A-615 grade 60

Structural Design: AASHTO HS-20



**PRECAST CONCRETE
PRODUCTS LLC.**

Type (C) 48"X48" JUNCTION BOXES



SPECIFICATIONS

Manufacturing: ASTM C-913

Concrete: 4,500 PSI at 28 days

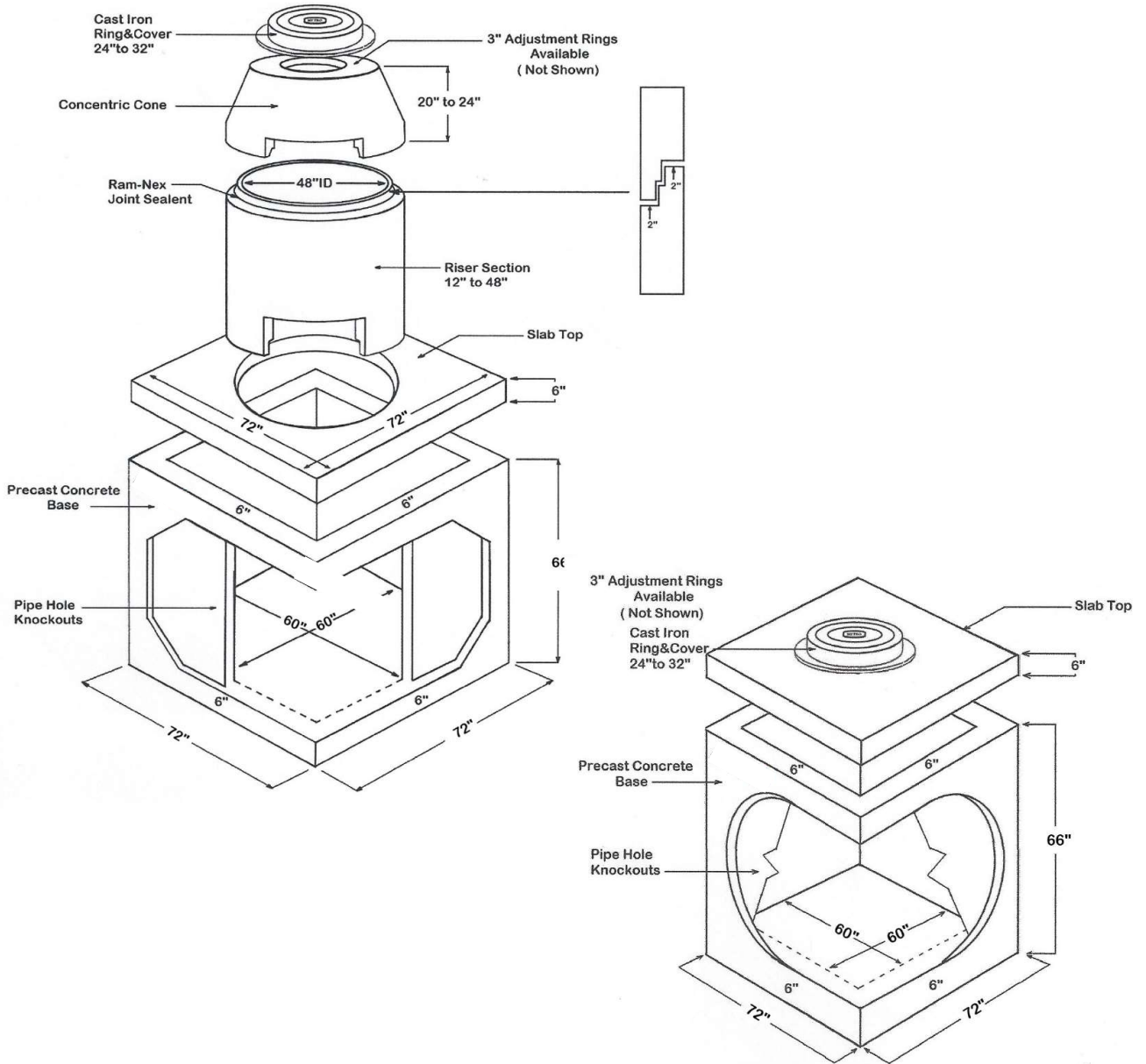
Steel: ASTM A-615 grade 60

Structural Design: AASHTO HS-20



**PRECAST CONCRETE
PRODUCTS LLC.**

60"X60" JUNCTION BOXES



SPECIFICATIONS

Manufacturing: ASTM C-913

Concrete: 4,500 PSI at 28 days

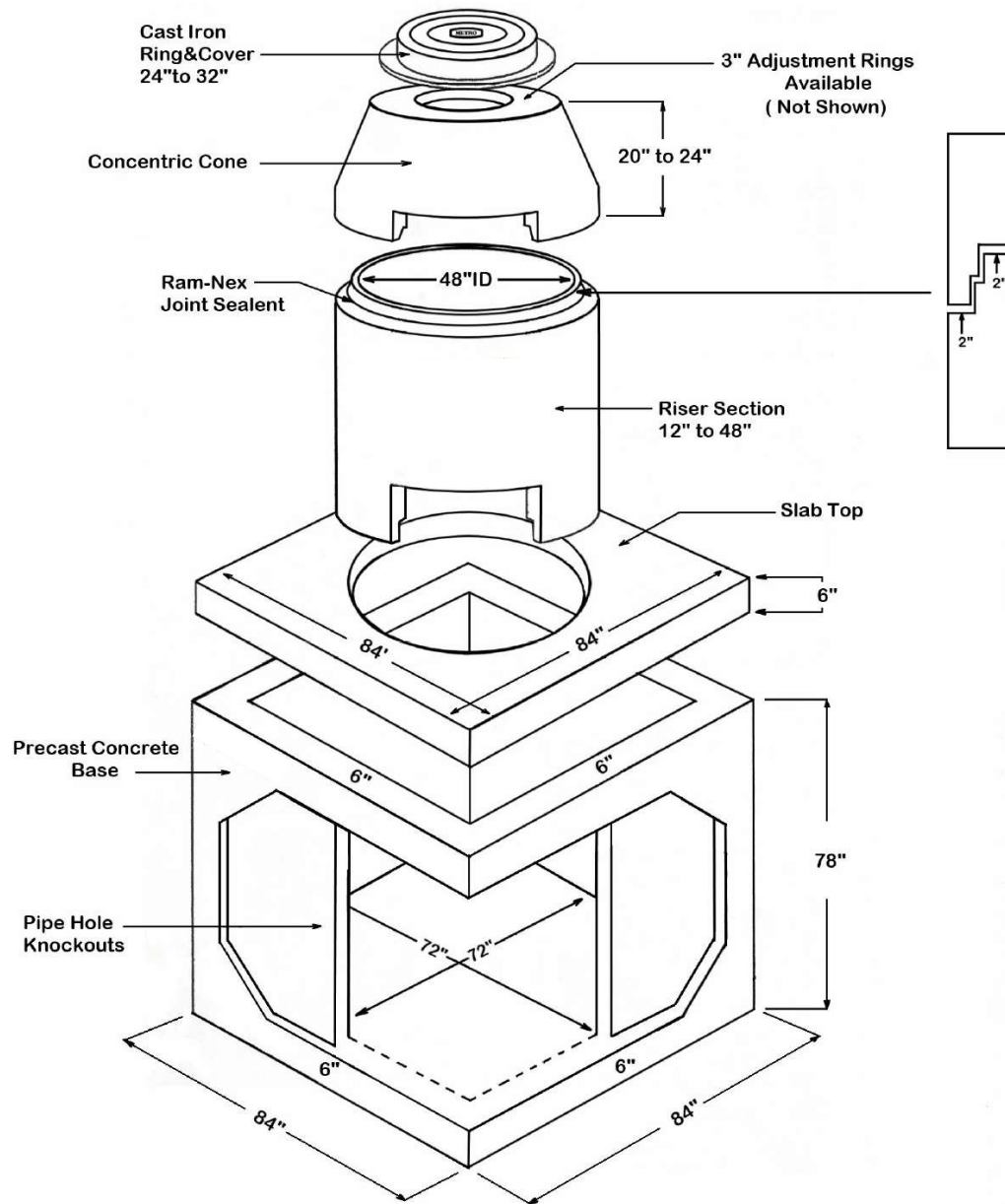
Steel: ASTM A-615 grade 60

Structural Design: AASHTO HS-20



**PRECAST CONCRETE
PRODUCTS LLC.**

72"X72" JUNCTION BOXES



SPECIFICATIONS

Manufacturing: ASTM C-913

Concrete: 4,500 PSI at 28 days

Steel: ASTM A-615 grade 60

Structural Design: AASHTO HS-20



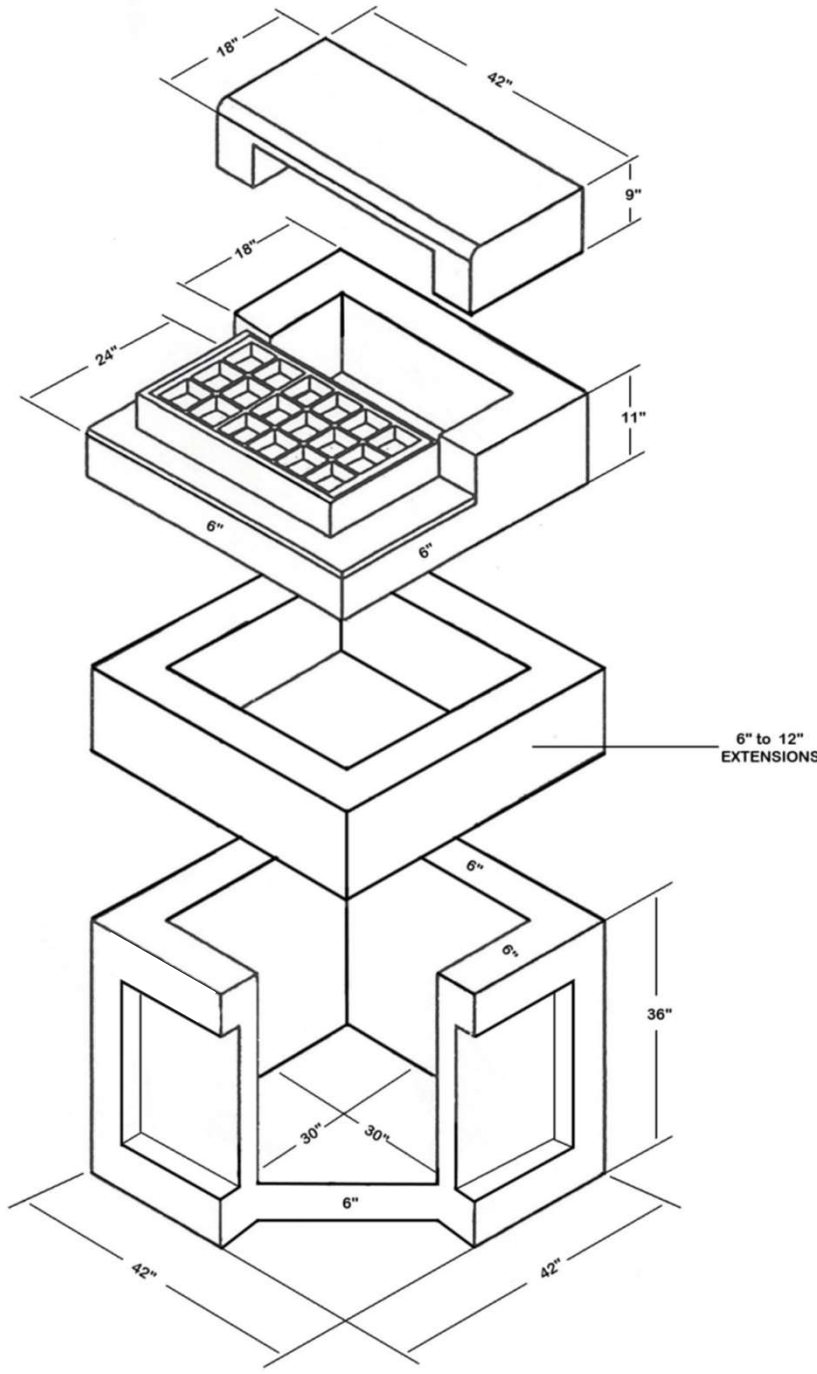
**PRECAST CONCRETE
PRODUCTS LLC.**



***PRECAST CONCRETE
PRODUCTS LLC.***

***CITY OF HOUSTON
CURB INLETS***

TYPE B – 30"X30" CURB INLETS



Curb Top
425lbs

Frame & Grate
130lbs

Mid-Section
600lbs

Riser
6" - 525lbs
12" - 1,050lbs

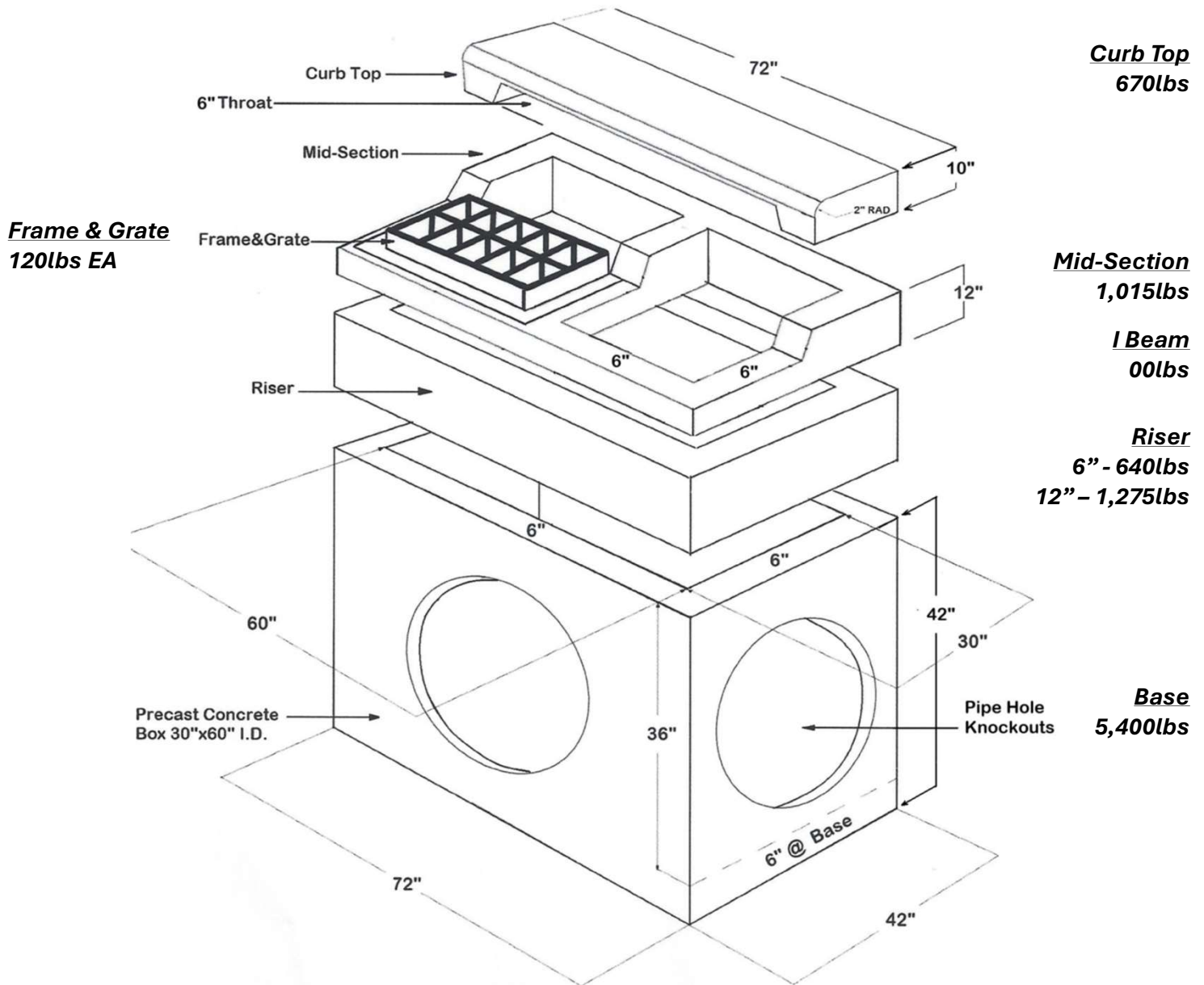
Base
425lbs

SPECIFICATIONS

Manufacturing: ASTM C-913
Concrete: 4,500 PSI at 28 days
Steel: ASTM A-615 grade 60
Structural Design: AASHTO HS-20



Type BB 30"X60" COH CURB INLETS



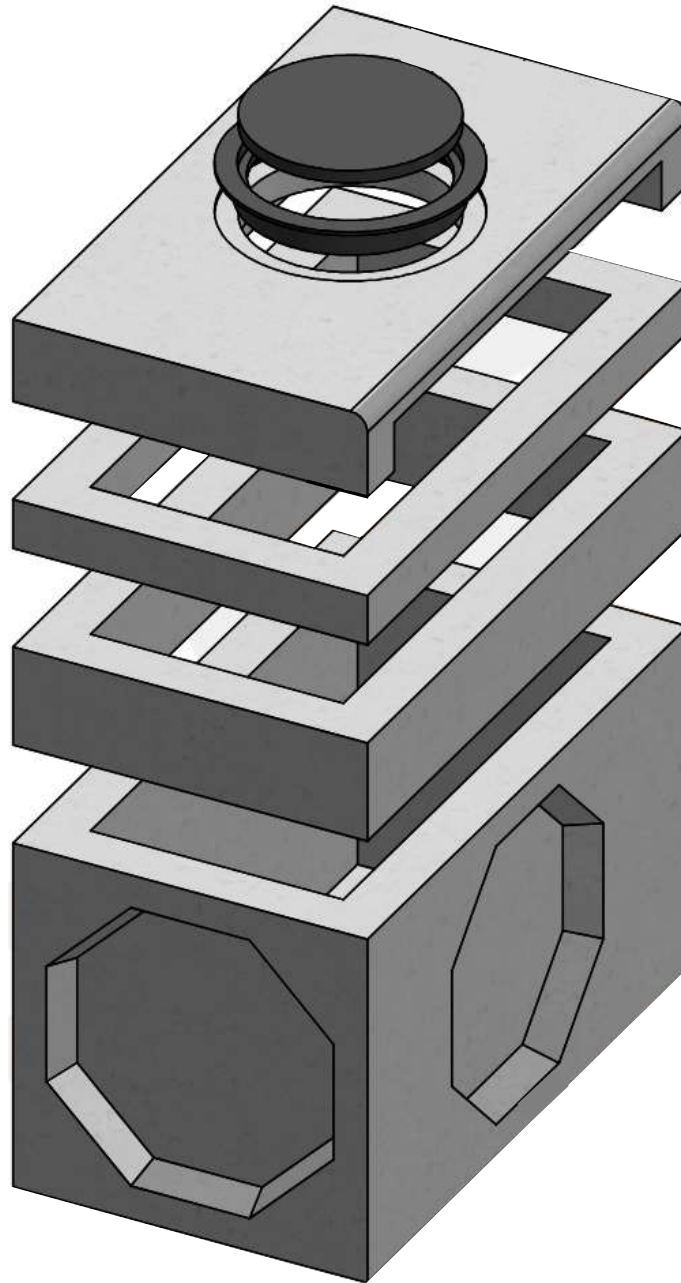
SPECIFICATIONS

Manufacturing: ASTM C-913
 Concrete: 4,500 PSI at 28 days
 Steel: ASTM A-615 grade 60
 Structural Design: AASHTO HS-20



Type H-2 30"X60" COH CURB INLETS

Ring & Cover
250lbs



Curb Top
1,340lbs

Riser
6" - 640lbs
12" - 1,275lbs

Base
4,200lbs

SPECIFICATIONS

Manufacturing: ASTM C-913

Concrete: 4,500 PSI at 28 days

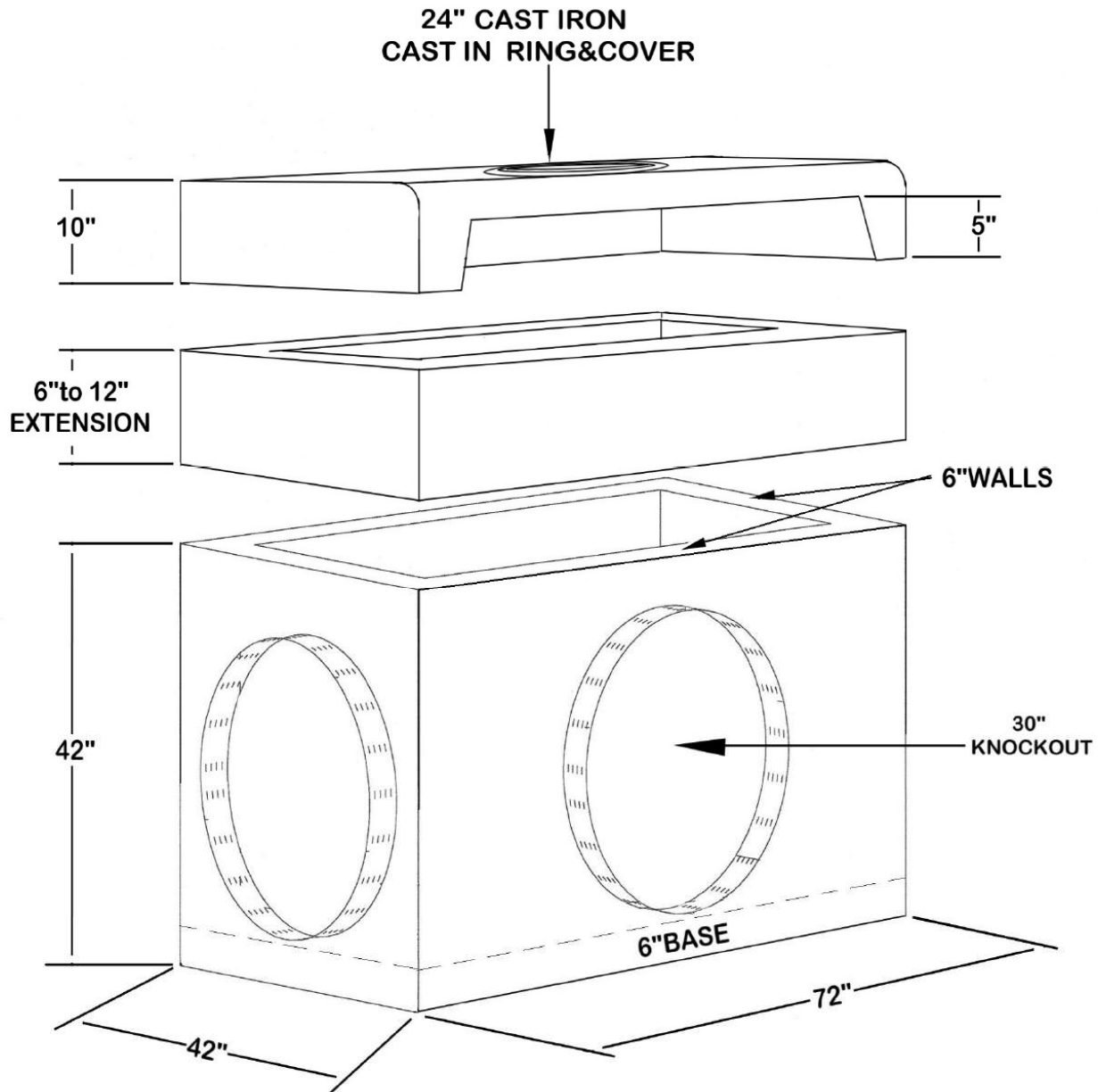
Steel: ASTM A-615 grade 60

Structural Design: AASHTO HS-20



**PRECAST CONCRETE
PRODUCTS LLC.**

Type H-2 30"X60" COH CURB INLETS



* BASE I.D. DIM.- 30" W - 60"L- 36"H

SPECIFICATIONS

Manufacturing: ASTM C-913

Concrete: 4,500 PSI at 28 days

Steel: ASTM A-615 grade 60

Structural Design: AASHTO HS-20



**PRECAST CONCRETE
PRODUCTS LLC.**

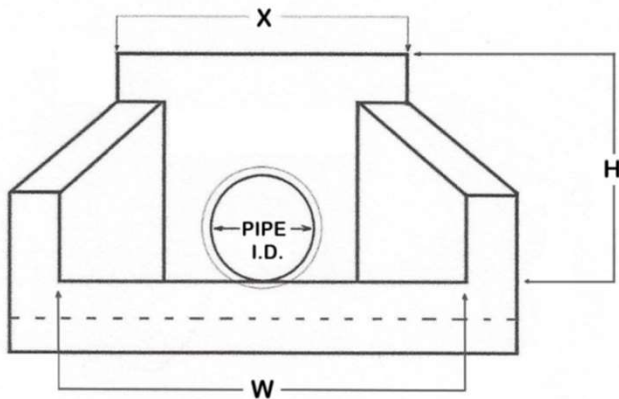


***PRECAST CONCRETE
PRODUCTS LLC.***

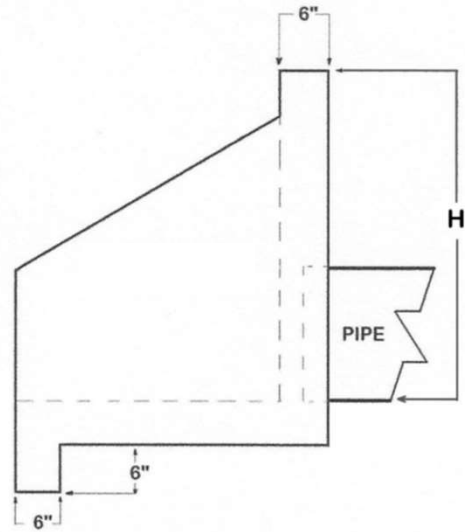
***HEADWALLS
SAFETY END TREATMENTS
(SET)***

HEADWALLS BY SIZE

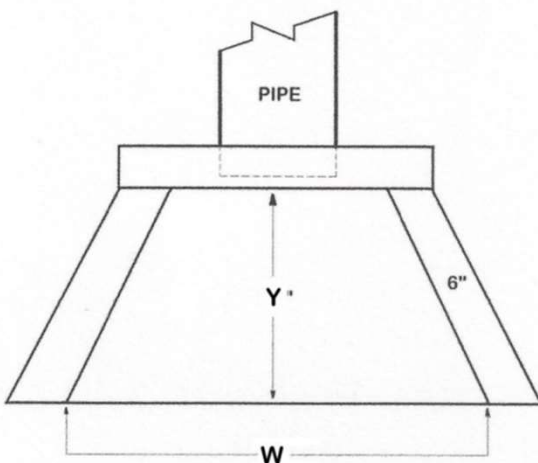
HEADWALLS



FRONT VIEW



SIDE VIEW



TOP VIEW

PIPE SIZE	X	H	Y	W
15"	42"	36"	35.25"	68.5"
18"	42"	36"	35.25"	68.5"
24"	42"	36"	35.25"	68.5"
30"	60"	54"	59"	117"
36"	60"	54"	59"	117"
42"	62.5"	54"	59"	117"
48"	62.5"	54"	59"	117"

SPECIFICATIONS

Manufacturing: ASTM C-913

Concrete: 4,500 PSI at 28 days

Steel: ASTM A-615 grade 60

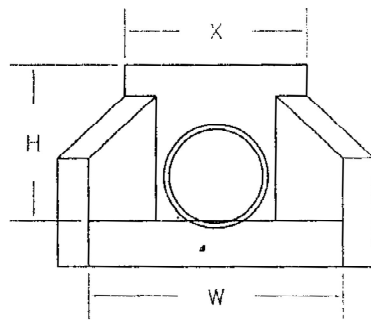
Structural Design: AASHTO HS-20



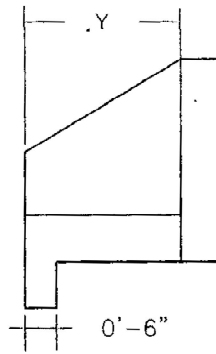
**PRECAST CONCRETE
PRODUCTS LLC.**

HEADWALLS BY SIZE

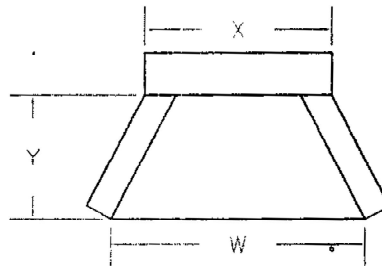
HEADWALLS



FRONT VIEW
4:1 HEADWALL



SIDE VIEW
4:1 HEADWALL



TOP VIEW
4:1 HEADWALL

Pipe Dia.	Table of Contents				
	X	H	Y	W	LBS
12"	2' 11.5"	2' 5.5"	2'	4' 2.5"	2,700
15"	2' 11.5"	2' 5.5"	2'	4' 2.5"	2,700
18"	2' 11.5"	2' 5.5"	2'	4' 2.5"	2,700
21"	3' 2"	3'	3'	4' 11"	4,300
24"	3' 2"	3'	3'	4' 11"	4,200
30"	4' 1"	3' 6"	4'	7' 6"	6,200
36"	4' 8"	4'	5'	9' 3"	8,100

SPECIFICATIONS

Manufacturing: ASTM C-913

Concrete: 4,500 PSI at 28 days

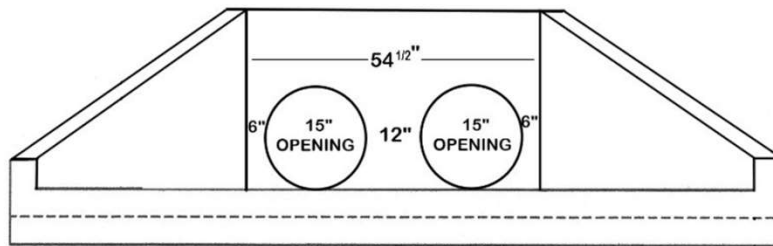
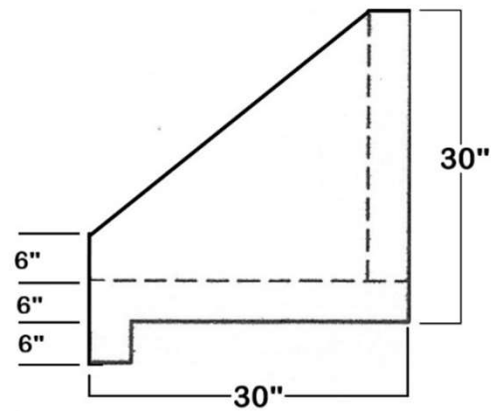
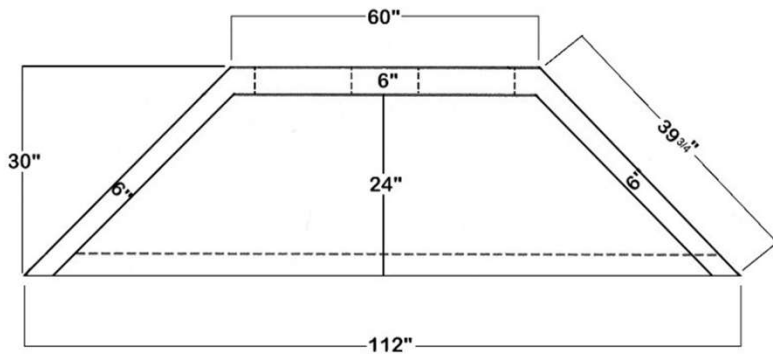
Steel: ASTM A-615 grade 60

Structural Design: AASHTO HS-20



**PRECAST CONCRETE
PRODUCTS LLC.**

12" DOUBLE BARREL HEADWALLS



SPECIFICATIONS

Manufacturing: ASTM C-913

Concrete: 4,500 PSI at 28 days

Steel: ASTM A-615 grade 60

Structural Design: AASHTO HS-20

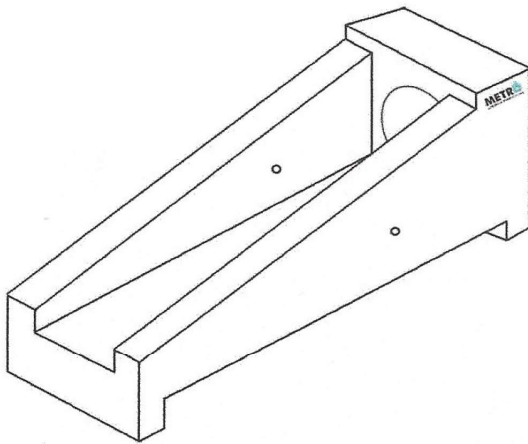


**PRECAST CONCRETE
PRODUCTS LLC.**

SET Sizes

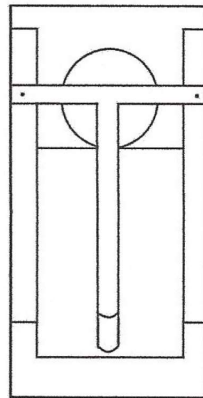
SAFETY END TREATMENTS

6:1 SLOPE							
PIPE ID	L	W	H	KO	A	B	LBS
12"	7'-3"	2'-6"	2'-8"	18"	2"	6"	4,390
15"	7'-3"	2'-6"	2'-8"	21"	2"	6"	4,295
18"	9'	2'-6"	2'-8"	24"	2"	6"	4,200
24"	13'-5"	3'	3'-6"	32"	2"	6"	7,570
30"	15'	3'-6"	3'-10"	36"	2"	6"	10,120
36"	18'	4'	4'-5"	44"	2"	6"	14,075
42"	22'-9"	5'	5'-8"	48"	6"	6"	21,215
48"	22'-9"	5'-8"	5'-8"	60"	6"	6"	26,045

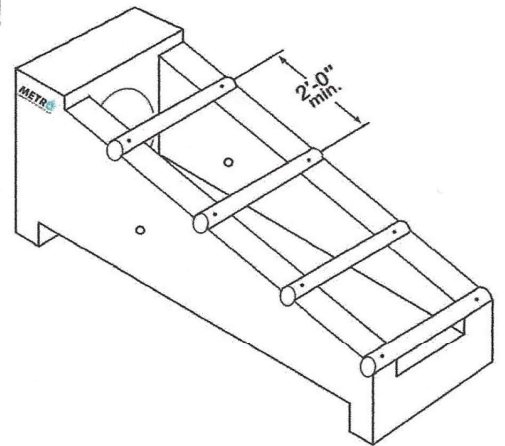


PLAIN

3-1/2" GALVANIZED PIPE SHALL CONFORM TO TXDOT SPECIFICATION



TYPE II CROSS
"TYPE C"



TYPE II PARALLEL
"TYPE P"

SPECIFICATIONS

Manufacturing: ASTM C-913

Concrete: 4,500 PSI at 28 days

Steel: ASTM A-615 grade 60

Structural Design: AASHTO HS-20



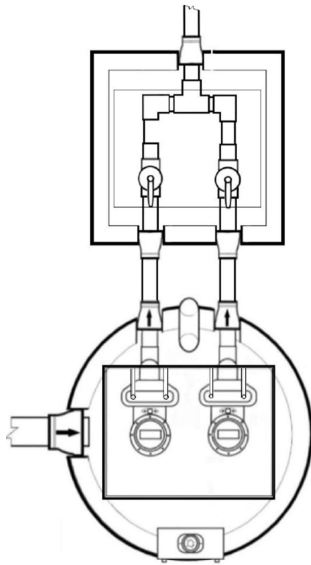
**PRECAST CONCRETE
PRODUCTS LLC.**



***PRECAST CONCRETE
PRODUCTS LLC.***

LIFT STATIONS

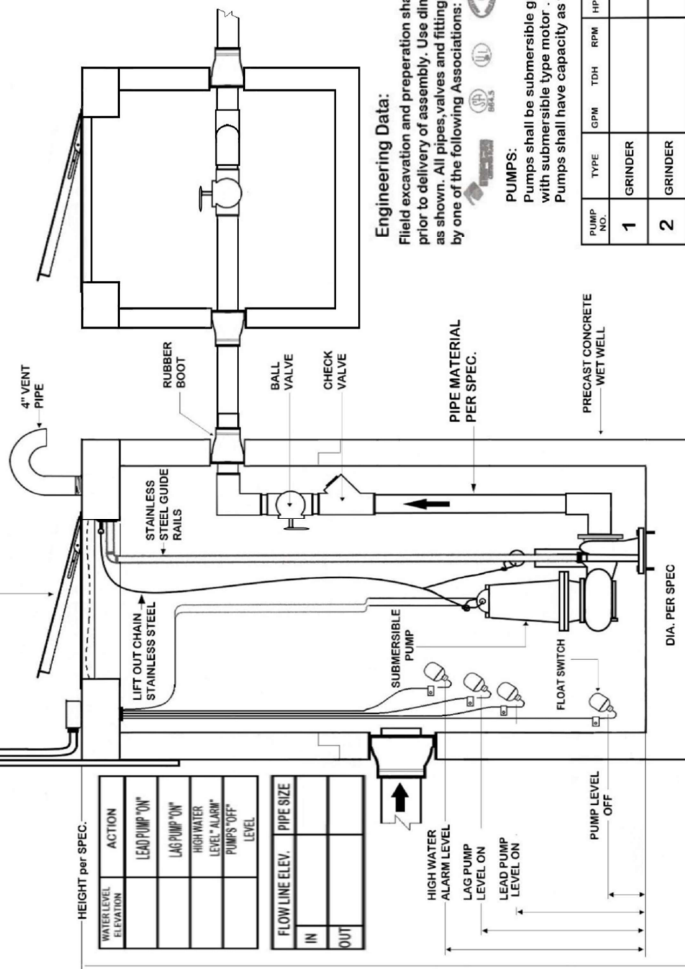
Sanitary LIFT STATIONS



NOTE:
ALL INLETS AND OUTLETS TO BE
VARIFIED PRIOR TO FABRICATION

NOTE:
ALL ELEVATIONS TO BE
VARIFIED PRIOR TO FABRICATION

CONTROLS:
Pump controls shall be mounted inside a UL Listed NEMA - 4X SS enclosure and include circuit breaker, float switch, 3 phase motor starter, pump HOA and alternator relay. Panel shall have a visual alarm beacon. Panel is designed for remote mounting.



WET WELL SIZE (I.D.)	48" DIA 60" DIA 72" DIA 96" DIA
PUMP CONFIGURATION	SIMPLEX DUPLIX
PUMP DISCHARGE SIZE	3" 4" 6" 8"
FLOW RATE CAPACITY FLOW (GPM)	100 GPM 200 GPM ETC.....
PUMP HEAD CAPACITY (TDH)	10' TOTAL DYNAMIC HEAD 20' TOTAL DYNAMIC HEAD ETC.....
POWER CHARACTERISTICS	230V / 1PH / 60HZ 208V / 3PH / 60HZ 208V / 3PH / 50HZ 480V / 3PH / 60HZ
PUMP MOTOR SIDE	2.0 HP 3.0 HP 5.0 HP 7.5 HP 10.0 HP 15.0 HP 20.0 HP

Engineering Data:
Field excavation and preparation shall be completed prior to delivery of assembly. Use dimensional data as shown. All pipes, valves and fitting be approved by one of the following Associations:



PUMPS:
Pumps shall be submersible grinder type with submersible type motor. Pumps shall have capacity as follows:

PUMP NO.	TYPE	GPM	TDH	RPM	HP	V	PH	HZ
1	GRINDER							60
2	GRINDER							60

SPECIFICATIONS

- Manufacturing: ASTM C-913
- Concrete: 4,500 PSI at 28 days
- Steel: ASTM A-615 grade 60
- Structural Design: AASHTO HS-20
- Access: Aluminum hatch with slamlock



Storm LIFT STATIONS

Engineering Data:

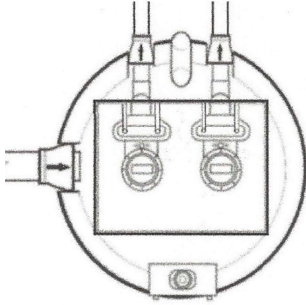
Field excavation and preparation shall be completed prior to delivery of assembly. Use dimensional data as shown. All pipes, valves and fittings be approved by one of the following Associations:



PUMPS: shall be submersible grinder type with submersible type motor. Pumps shall have capacity as follows:

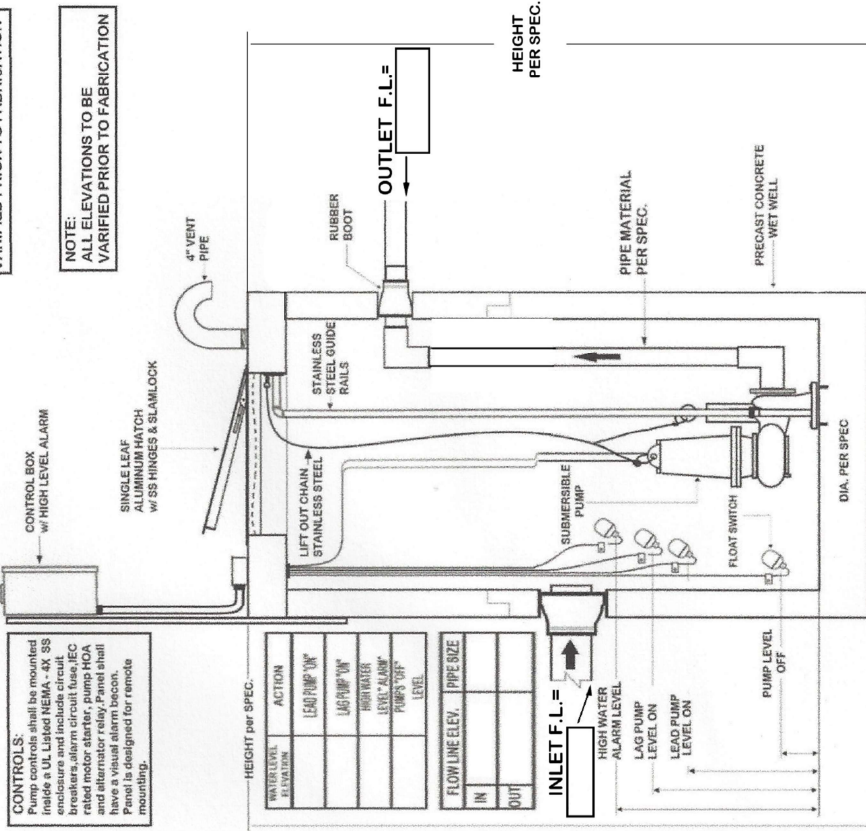
PUMP	TYPE	GPM	TDH	RPM	HP	V	PH	Nz
1	GRINDER							60
2	GRINDER							60

WET WELL SIZE (I.D.)	
48" DIA	
60" DIA	
72" DIA	
96" DIA	
PUMP CONFIGURATION	
SIMPLEX	
DUPLEX	
PUMP DISCHARGE SIZE	
3"	
4"	
6"	
8"	
FLOW RATE CAPACITY FLOW (GPM)	
100 GPM	
200 GPM	
ETC....	
PUMP HEAD CAPACITY (TDH)	
10' TOTAL DYNAMIC HEAD	
20' TOTAL DYNAMIC HEAD	
ETC....	
POWER CHARACTERISTICS	
230V / 1PH / 60HZ	
208V / 3PH / 60HZ	
240V / 1PH / 60HZ	
480V / 3PH / 60HZ	
PUMP MOTOR SIDE	
2.0 HP	
3.0 HP	
5.0 HP	
7.5 HP	
10.0 HP	
15.0 HP	
20.0 HP	



NOTE:
ALL INLETS AND OUTLETS TO BE
VARIFIED PRIOR TO FABRICATION

NOTE:
ALL ELEVATIONS TO BE
VARIFIED PRIOR TO FABRICATION



CONTROLS:
Pump controls shall be mounted inside a UL Listed NEMA -4X SS enclosure and include circuit breakers, alarm circuit fuse, IEC rated motor starter, pump HOA relay, and a visual alarm. Panel is designed for remote mounting.

ACTION	
LEAD PUMP "ON"	
LAG PUMP "ON"	
HIGH WATER LEVEL "ALARM"	
PUMPS "OFF"	
LEVEL	

FLOW LINE ELEV. PIPE SIZE	
IN	
OUT	

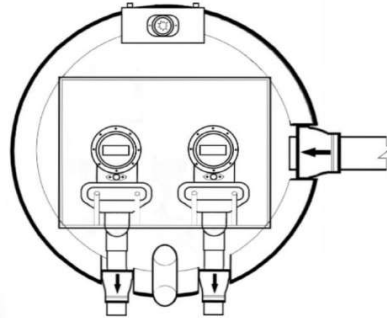
SPECIFICATIONS

- Manufacturing: ASTM C-913
- Concrete: 4,500 PSI at 28 days
- Steel: ASTM A-615 grade 60
- Structural Design: AASHTO HS-20
- Access: Aluminum hatch with slamlock



**PRECAST CONCRETE
PRODUCTS LLC.**

Sanitary LIFT STATIONS



CONTROLS:
Pump controls shall be mounted inside a UL Listed NEMA - 4X SS enclosure and include circuit breakers, alarm circuit fuse, IEC rated motor starter, pump HOA and alternator relay. Panel shall have a visual alarm beacon. Panel is designed for remote mounting.

CONTROL BOX
w/ HIGH LEVEL ALARM

SINGLE LEAF
ALUMINUM HATCH
w/ SS HINGES & SLAMLOCK

4" VENT
PIPE

HEIGHT per SPEC.

WATER LEVEL ELEVATION	ACTION
	LEAD PUMP "ON"
	LAG PUMP "ON"
	HIGH WATER LEVEL "ALARM"
	PUMPS "OFF" LEVEL

FLOW LINE ELEV.	PIPE SIZE
IN	
OUT	

HIGH WATER ALARM LEVEL

LAG PUMP LEVEL ON

LEAD PUMP LEVEL ON

PUMP LEVEL OFF

LIFT OUT CHAIN
STAINLESS STEEL

STAINLESS
STEEL GUIDE RAILS

RUBBER BOOT

BALL VALVE

CHECK VALVE

PIPE MATERIAL
PER SPEC.

PRECAST CONCRETE
WET WELL

DIA. PER SPEC

PUMPS:

Pumps shall be submersible grinder type with submersible type motor .
Pumps shall have capacity as follows:

PUMP NO.	TYPE	GPM	TDH	RPM	HP	V	PH	Hz
1	GRINDER							60
2	GRINDER							60

Engineering Data:

Field excavation and preparation shall be completed prior to delivery of assembly. Use dimensional data as shown. All pipes, valves and fitting be approved by one of the following Associations:



WET WELL SIZE (I.D.)	
48" DIA	
60" DIA	
72" DIA	
96" DIA	
PUMP CONFIGURATION	
SIMPLEX	
DUPLEX	
PUMP DISCHARGE SIZE	
3"	
4"	
6"	
8"	
FLOW RATE CAPACITY FLOW (GPM)	
100 GPM	
200 GPM	
ETC....	
PUMP HEAD CAPACITY (TDH)	
10' TOTAL DYNAMIC HEAD	
20' TOTAL DYNAMIC HEAD	
ETC....	
POWER CHARACTERISTICS	
230V / 1PH / 60Hz	
208V / 3PH / 60Hz	
230V / 3PH / 60Hz	
480V / 3PH / 60Hz	
PUMP MOTOR SIDE	
2.0 HP	
3.0 HP	
5.0 HP	
7.5 HP	
10.0 HP	
15.0 HP	
20.0 HP	

SPECIFICATIONS

Manufacturing: ASTM C-913

Concrete: 4,500 PSI at 28 days

Steel: ASTM A-615 grade 60

Structural Design: AASHTO HS-20

Access: Aluminum hatch with slamlock



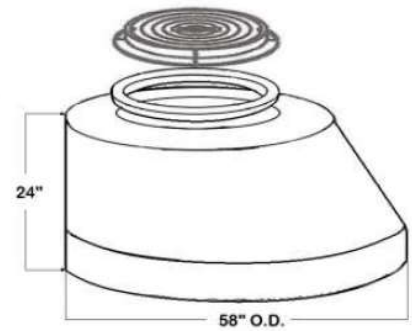
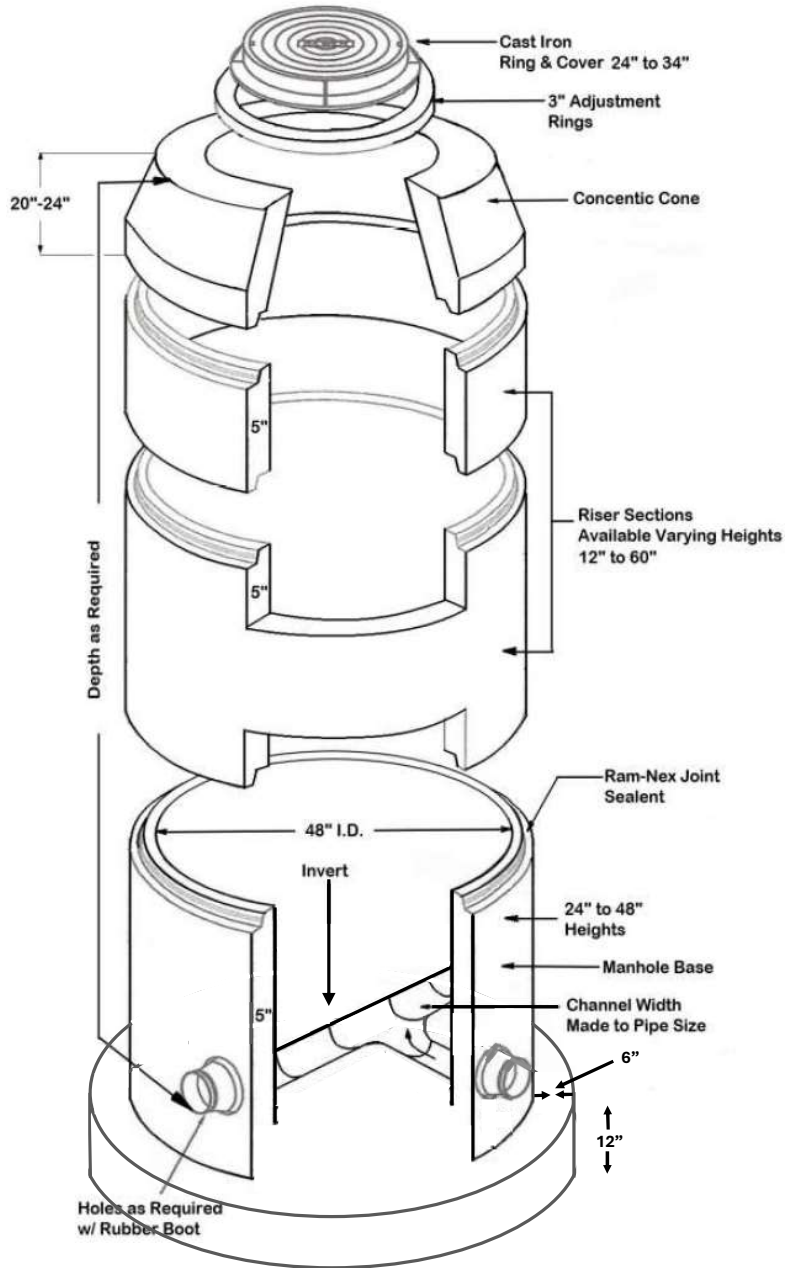
**PRECAST CONCRETE
PRODUCTS LLC.**



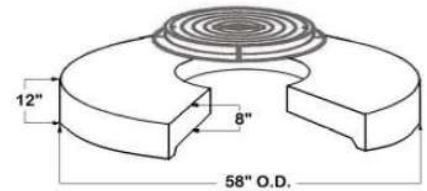
***PRECAST CONCRETE
PRODUCTS LLC.***

SANITARY MANHOLES

Extended Base (48" DIA) SANITARY MANHOLES



48" Eccentric Manhole Cone



48" Flat Manhole Top

SPECIFICATIONS

Manufacturing: ASTM C-913

Concrete: 4,500 PSI at 28 days

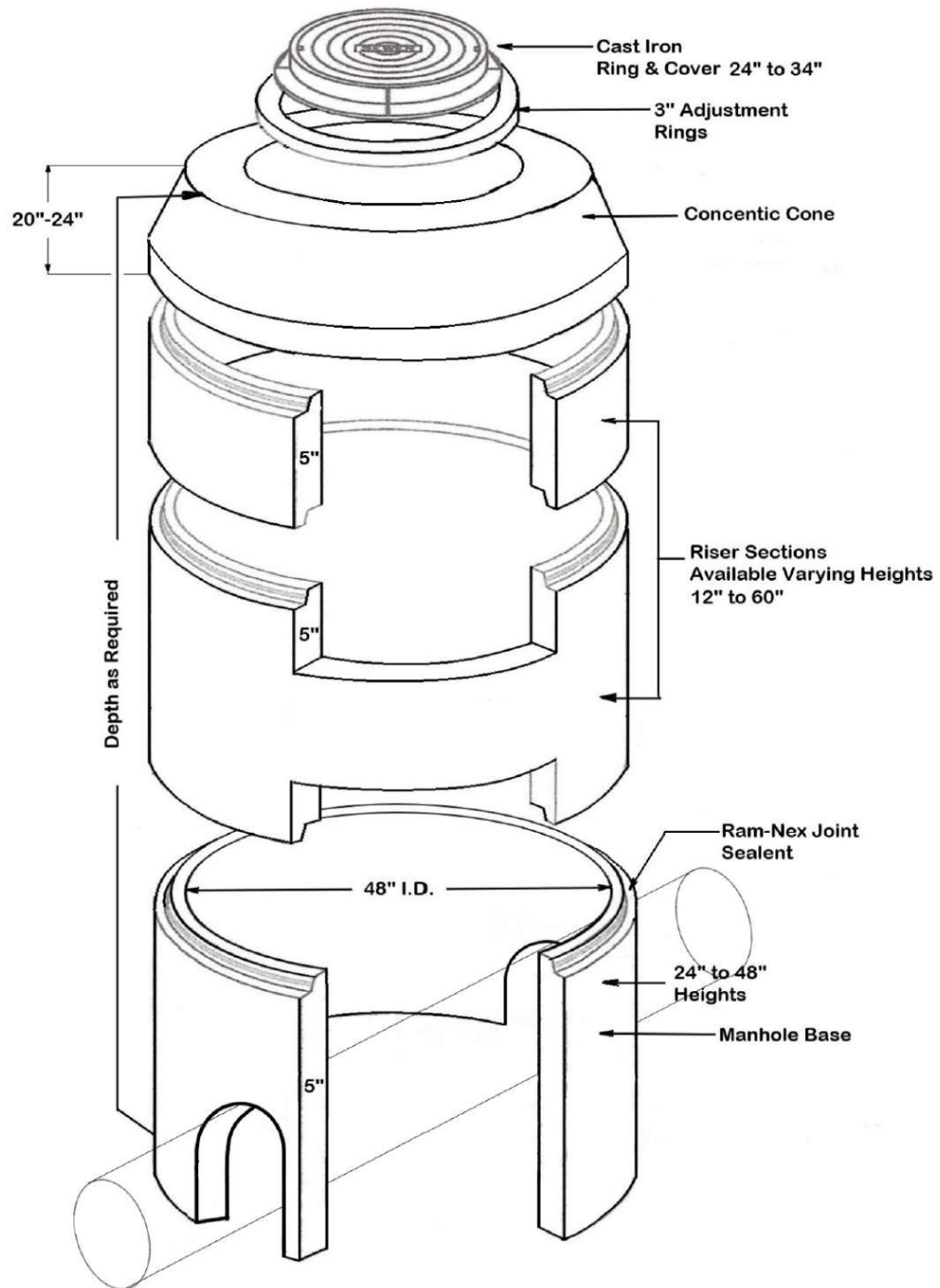
Steel: ASTM A-615 grade 60

Structural Design: AASHTO HS-20



**PRECAST CONCRETE
PRODUCTS LLC.**

Dog House (48" DIA) SANITARY MANHOLES



48" DOG HOUSE MANHOLE

SPECIFICATIONS

Manufacturing: ASTM C-913

Concrete: 4,500 PSI at 28 days

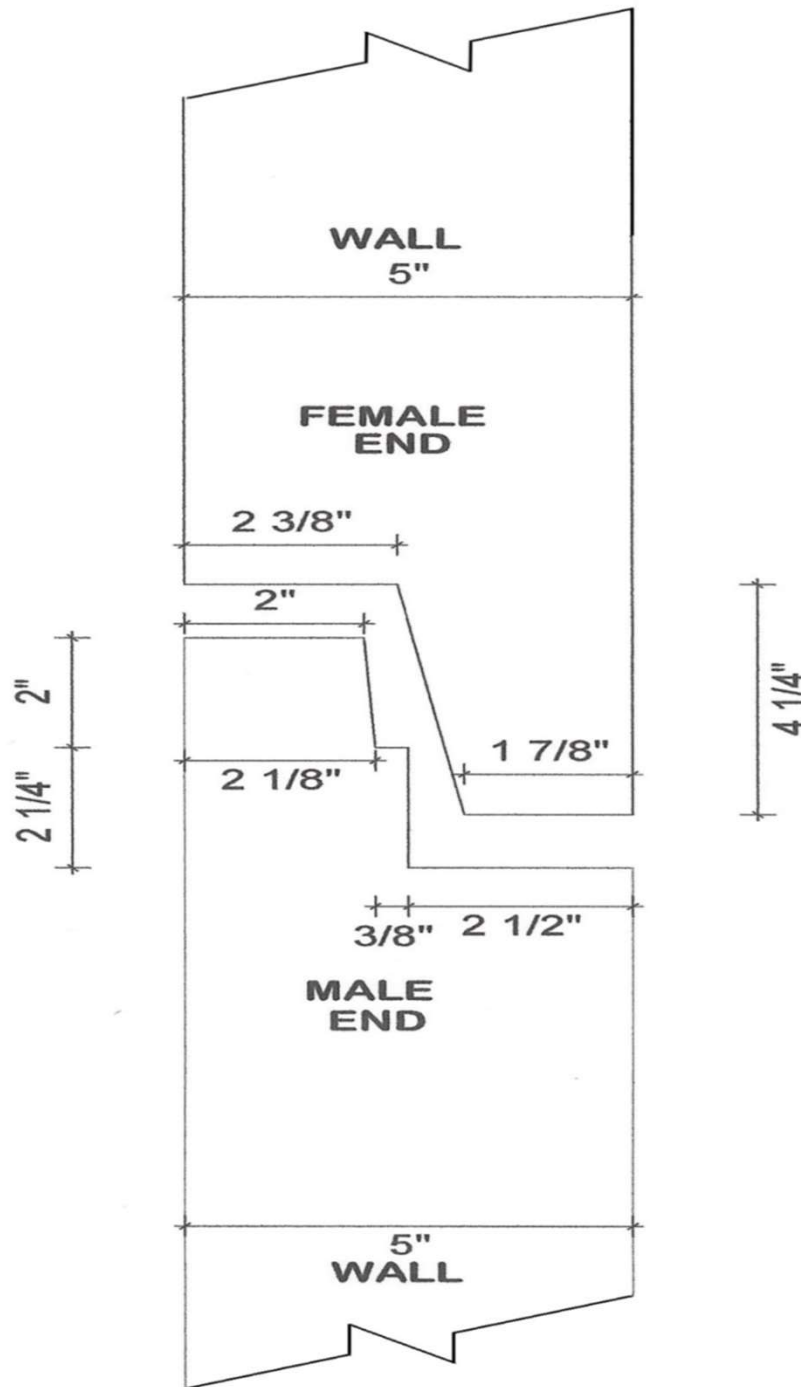
Steel: ASTM A-615 grade 60

Structural Design: AASHTO HS-20



**PRECAST CONCRETE
PRODUCTS LLC.**

Joint Detail (48" DIA) SANITARY MANHOLES



SPECIFICATIONS

Manufacturing: ASTM C-913

Concrete: 4,500 PSI at 28 days

Steel: ASTM A-615 grade 60

Structural Design: AASHTO HS-20



**PRECAST CONCRETE
PRODUCTS LLC.**

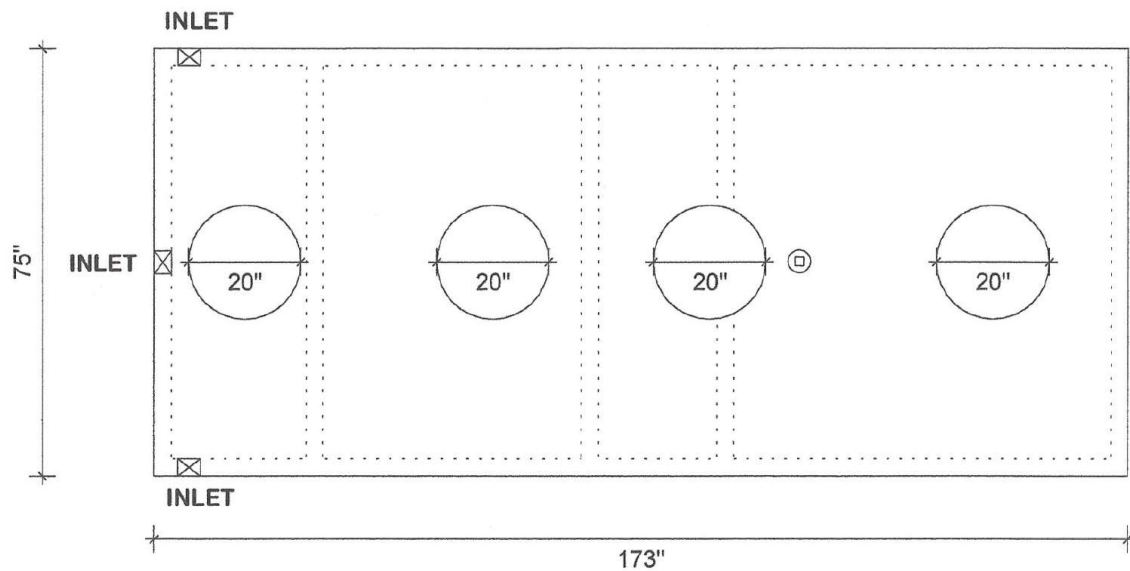


***PRECAST CONCRETE
PRODUCTS LLC.***

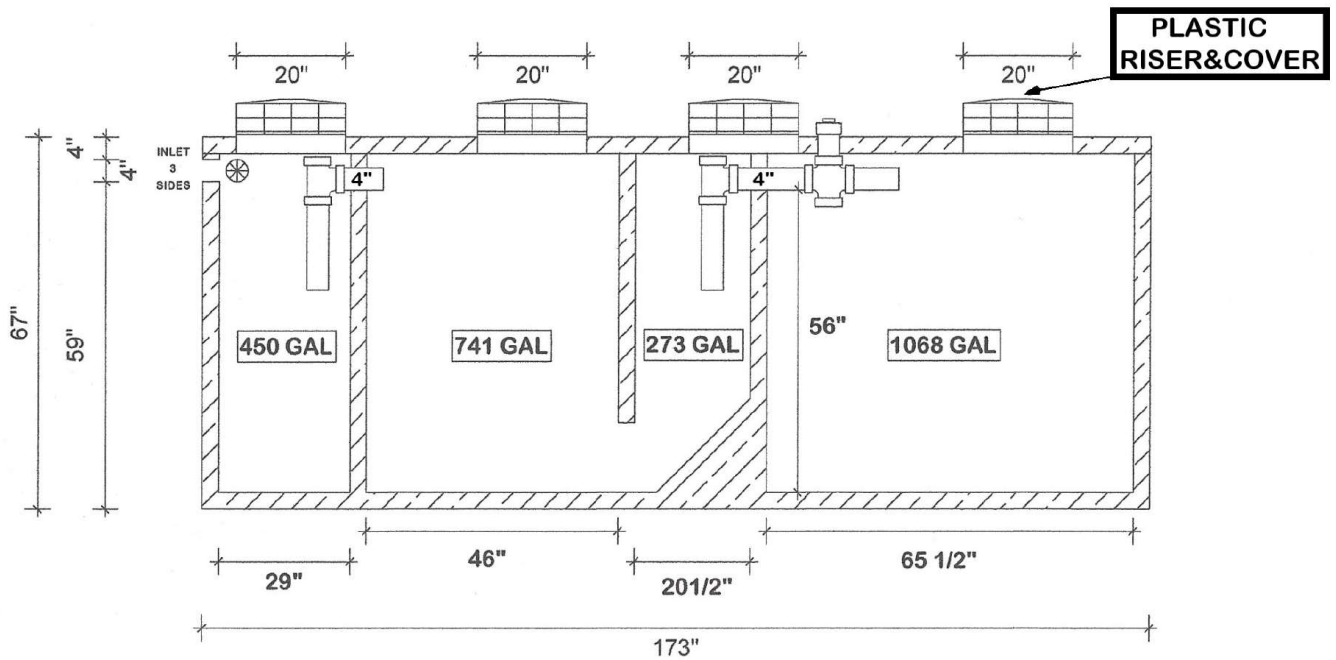
AEROBIC SYSTEMS

800 GPD AEROGREEN

TOP VIEW



SIDE VIEW



SPECIFICATIONS

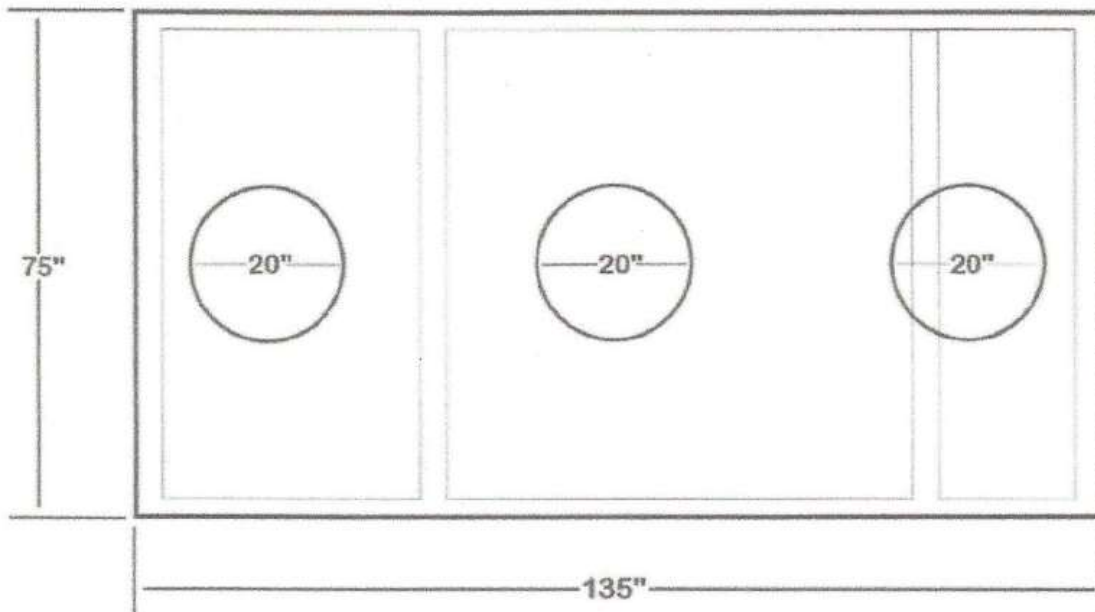
Manufacturing: ASTM C-913
Concrete: 4,500 PSI at 28 days
Steel: ASTM A-615 grade 60
Structural Design: AASHTO HS-20



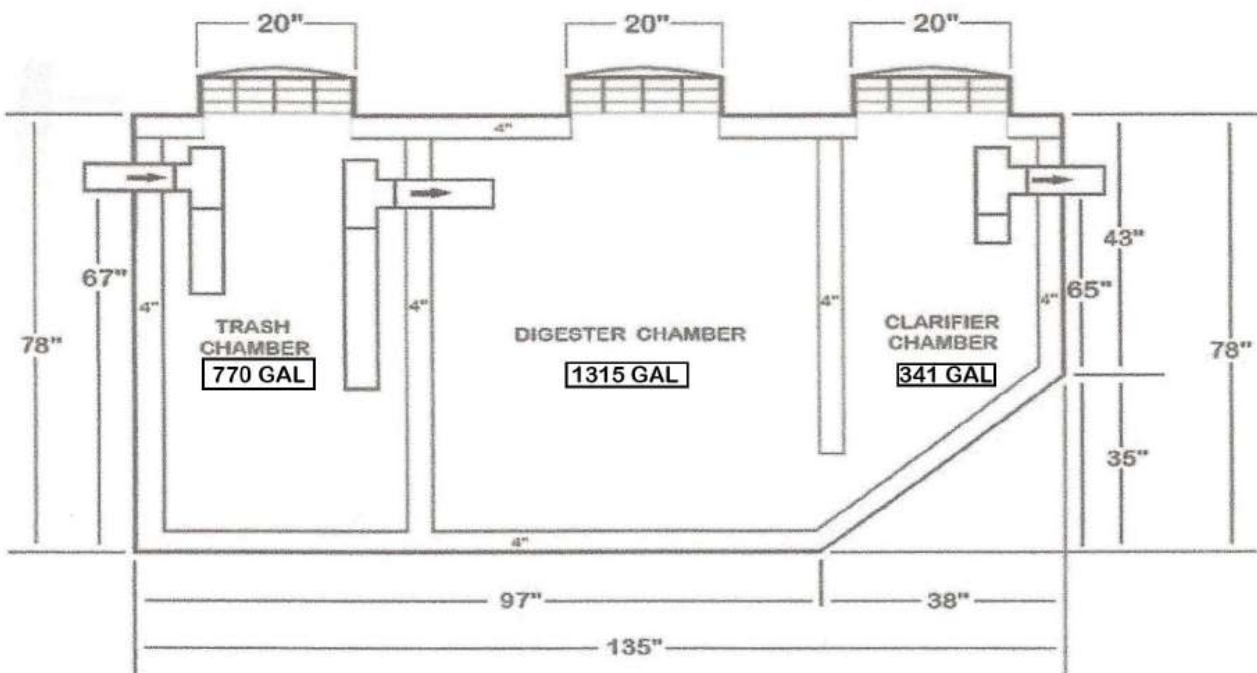
**PRECAST CONCRETE
PRODUCTS LLC.**

1,000 GPD AEROBIC SEPTIC SYSTEMS

TOP VIEW



SIDE VIEW



SPECIFICATIONS

Manufacturing: ASTM C-913

Concrete: 4,500 PSI at 28 days

Steel: ASTM A-615 grade 60

Structural Design: AASHTO HS-20



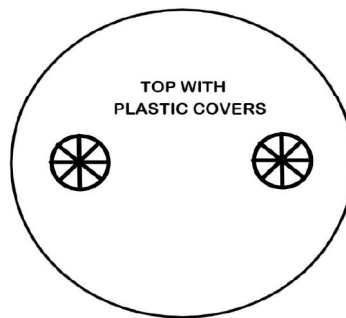
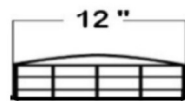
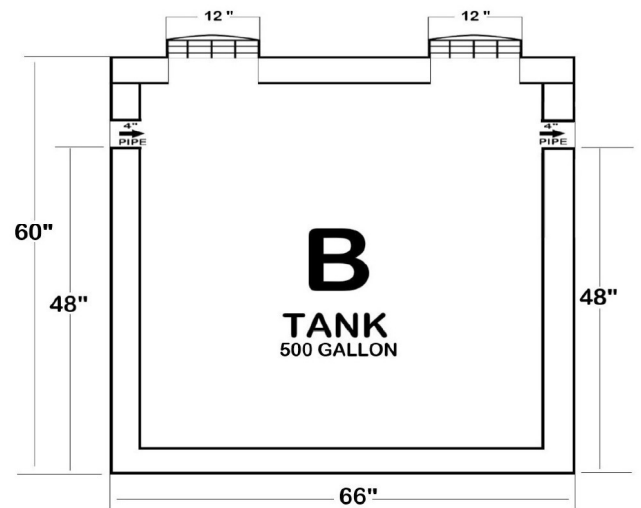
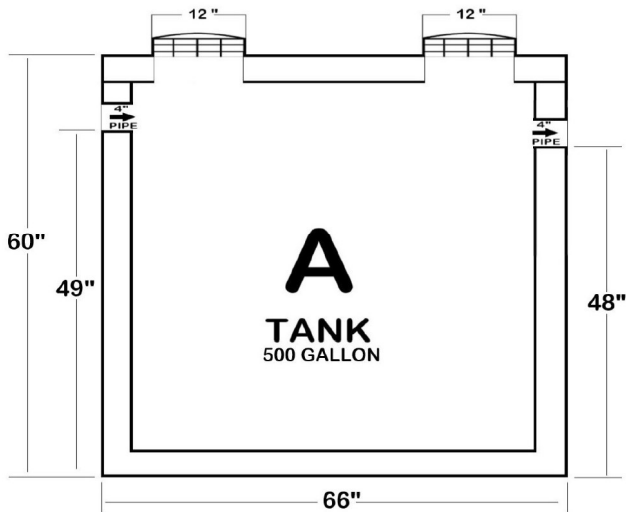
**PRECAST CONCRETE
PRODUCTS LLC.**



***PRECAST CONCRETE
PRODUCTS LLC.***

SEPTIC TANKS

250GAL AB (Short) SEPTIC TANKS



SPECIFICATIONS

Manufacturing: ASTM C-913

Concrete: 4,500 PSI at 28 days

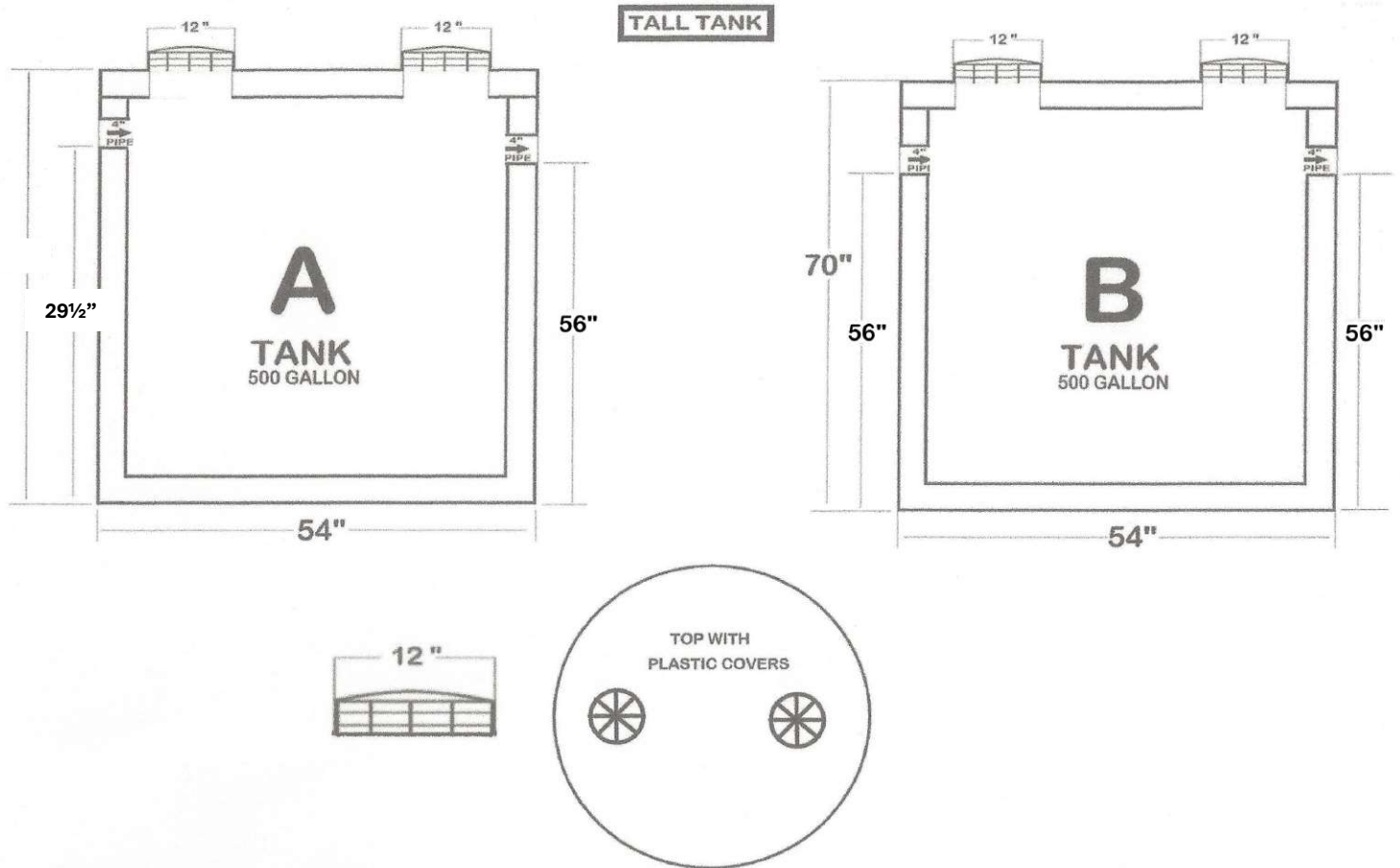
Steel: ASTM A-615 grade 60

Structural Design: AASHTO HS-20



**PRECAST CONCRETE
PRODUCTS LLC.**

250GAL AB (Tall) SEPTIC TANKS



SPECIFICATIONS

Manufacturing: ASTM C-913

Concrete: 4,500 PSI at 28 days

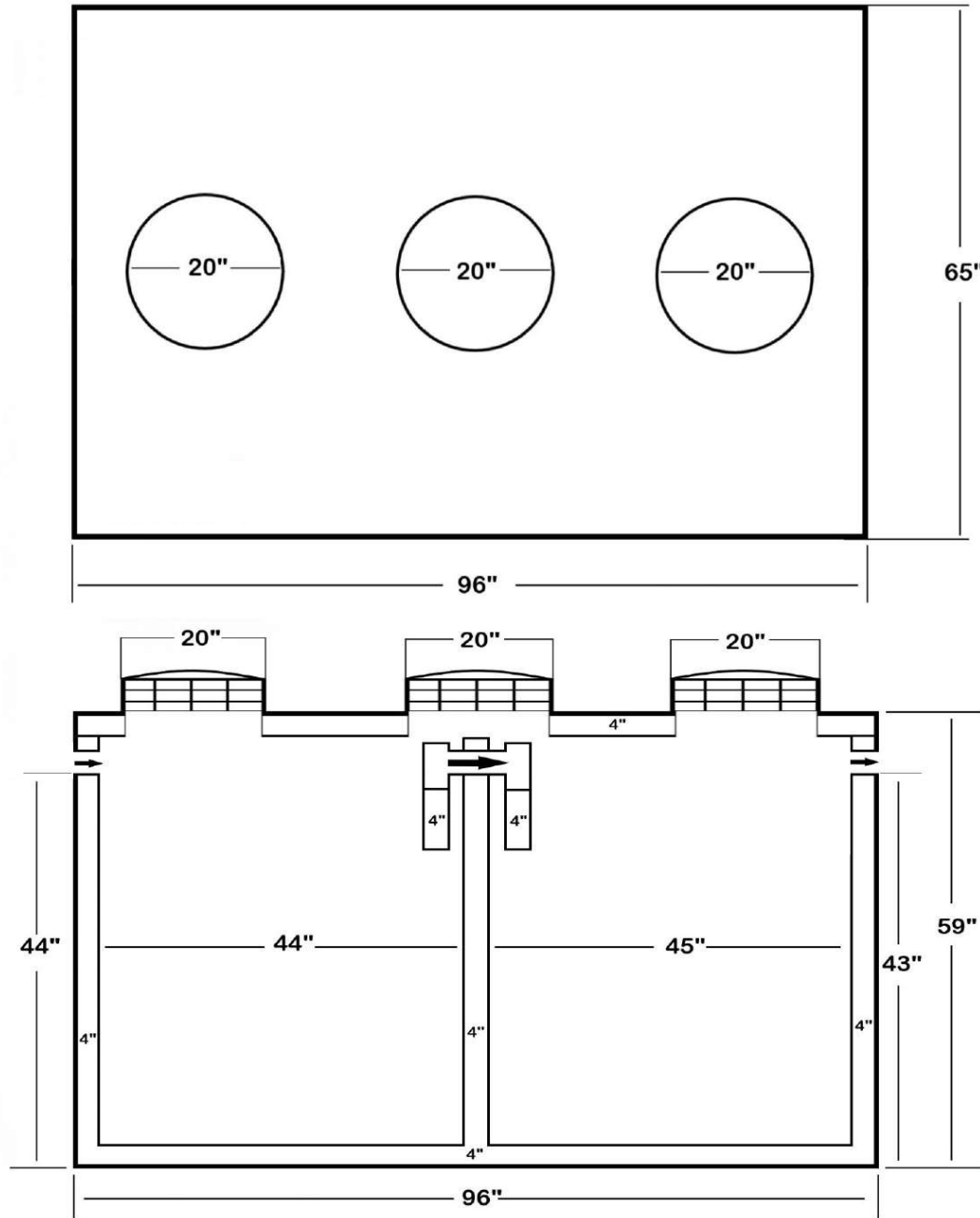
Steel: ASTM A-615 grade 60

Structural Design: AASHTO HS-20



**PRECAST CONCRETE
PRODUCTS LLC.**

500GAL AB Combo SEPTIC TANKS



WEIGHT-7557 LBS.

SPECIFICATIONS

Manufacturing: ASTM C-913

Concrete: 4,500 PSI at 28 days

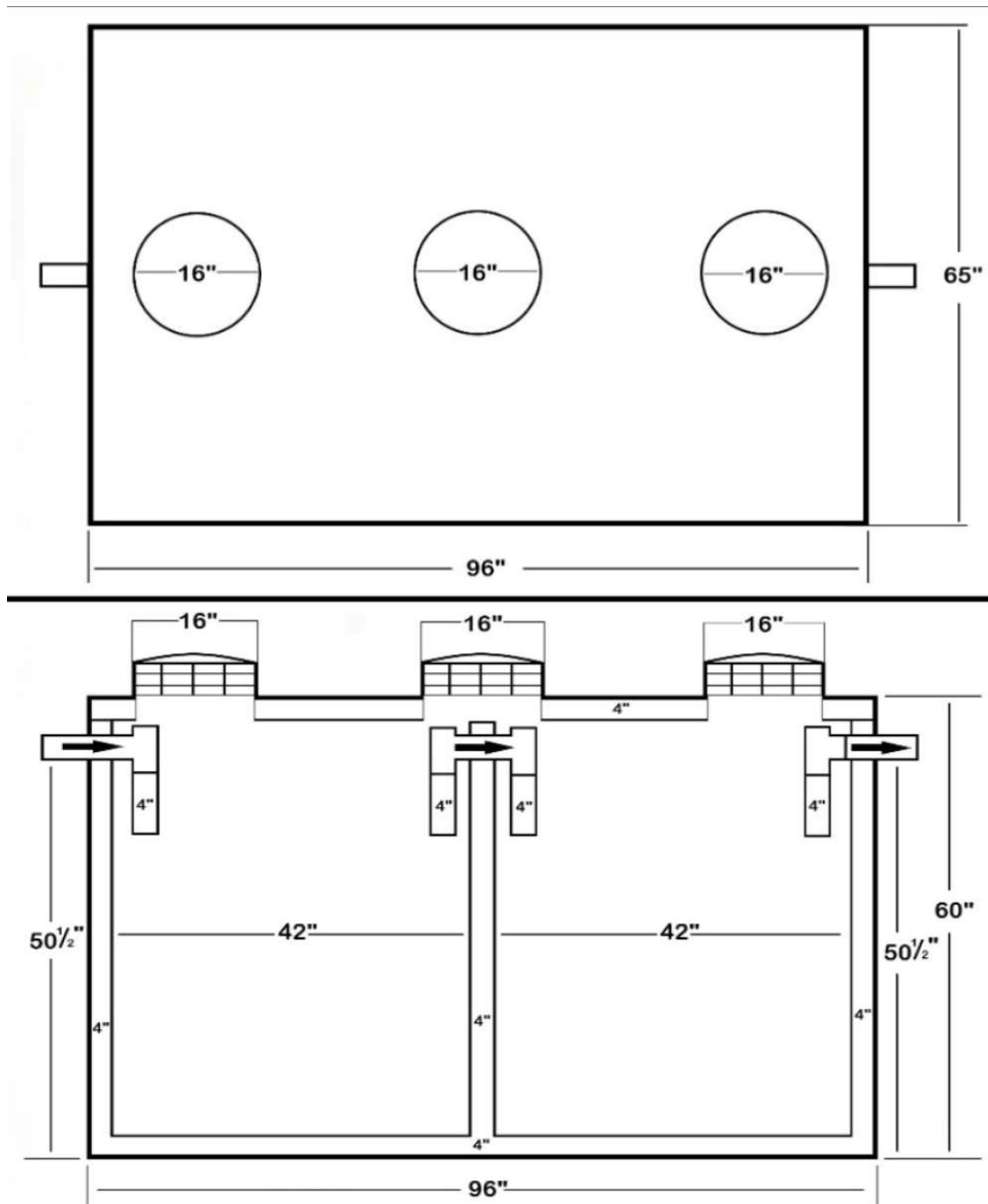
Steel: ASTM A-615 grade 60

Structural Design: AASHTO HS-20



**PRECAST CONCRETE
PRODUCTS LLC.**

750GAL AB Combo SEPTIC TANKS



SPECIFICATIONS

Manufacturing: ASTM C-913

Concrete: 4,500 PSI at 28 days

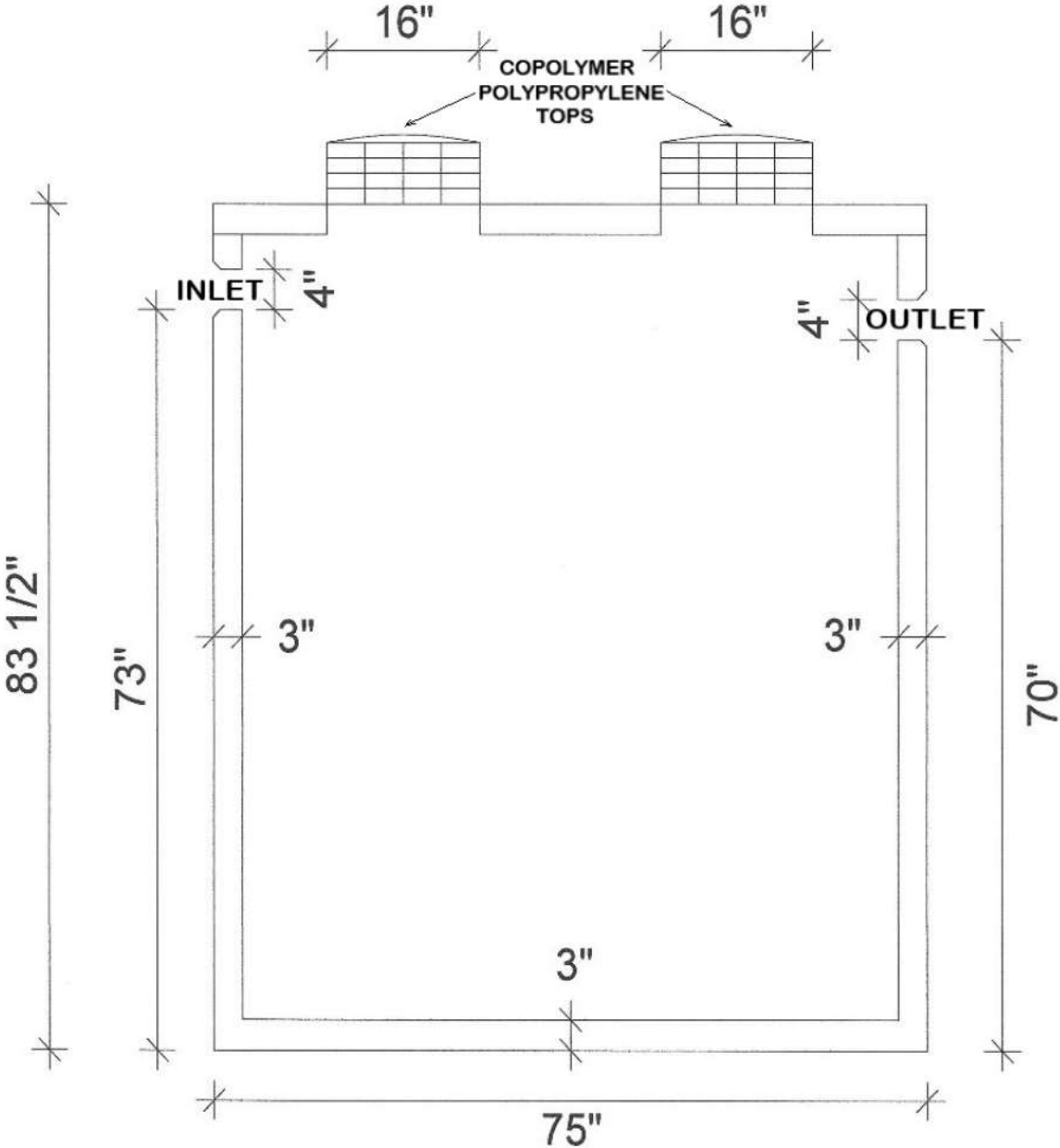
Steel: ASTM A-615 grade 60

Structural Design: AASHTO HS-20



**PRECAST CONCRETE
PRODUCTS LLC.**

1,000GAL (A) Tank SEPTIC TANKS

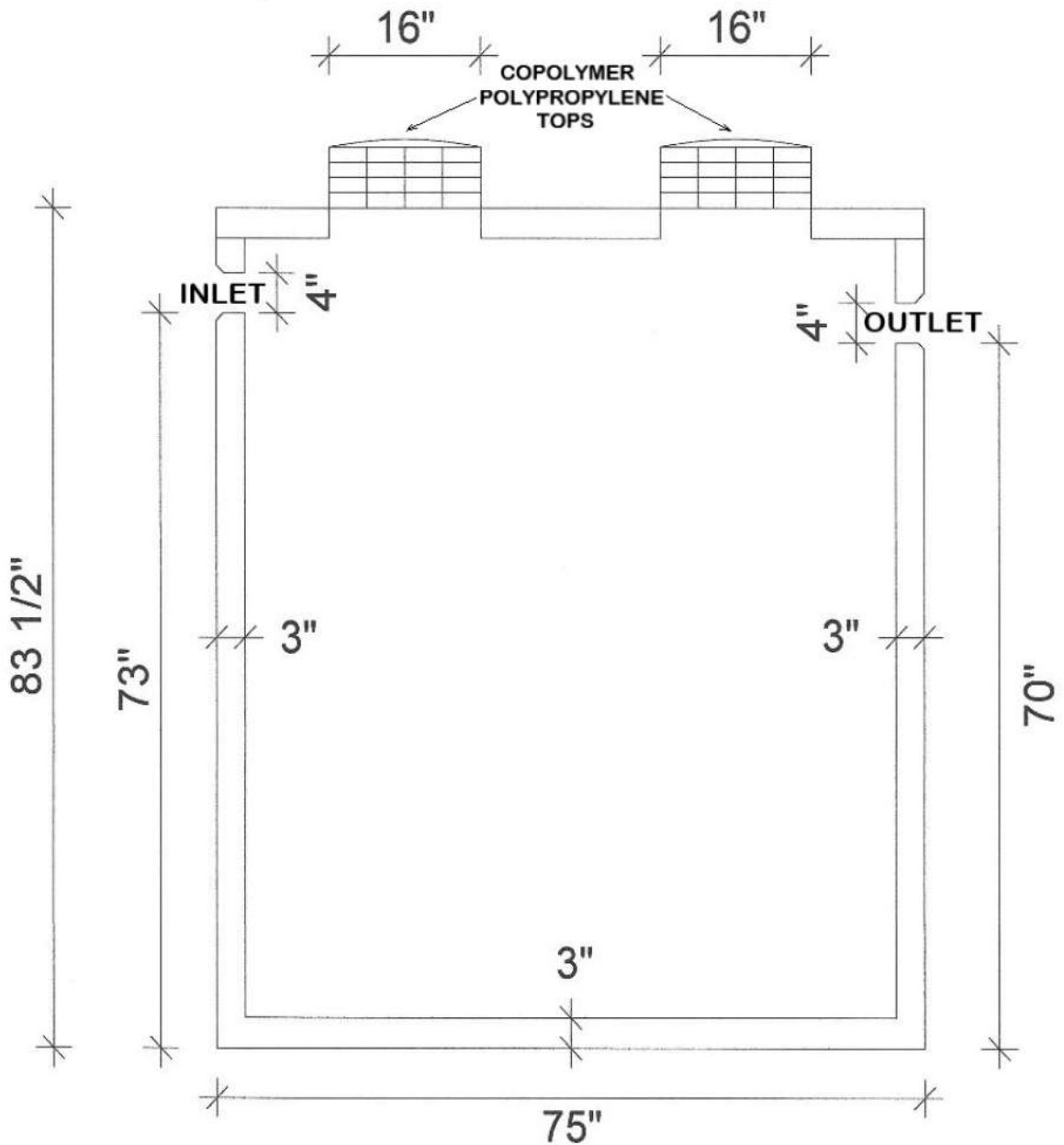


SPECIFICATIONS

Manufacturing: ASTM C-913
Concrete: 4,500 PSI at 28 days
Steel: ASTM A-615 grade 60
Structural Design: AASHTO HS-20



1,000GAL (B) Tank SEPTIC TANKS



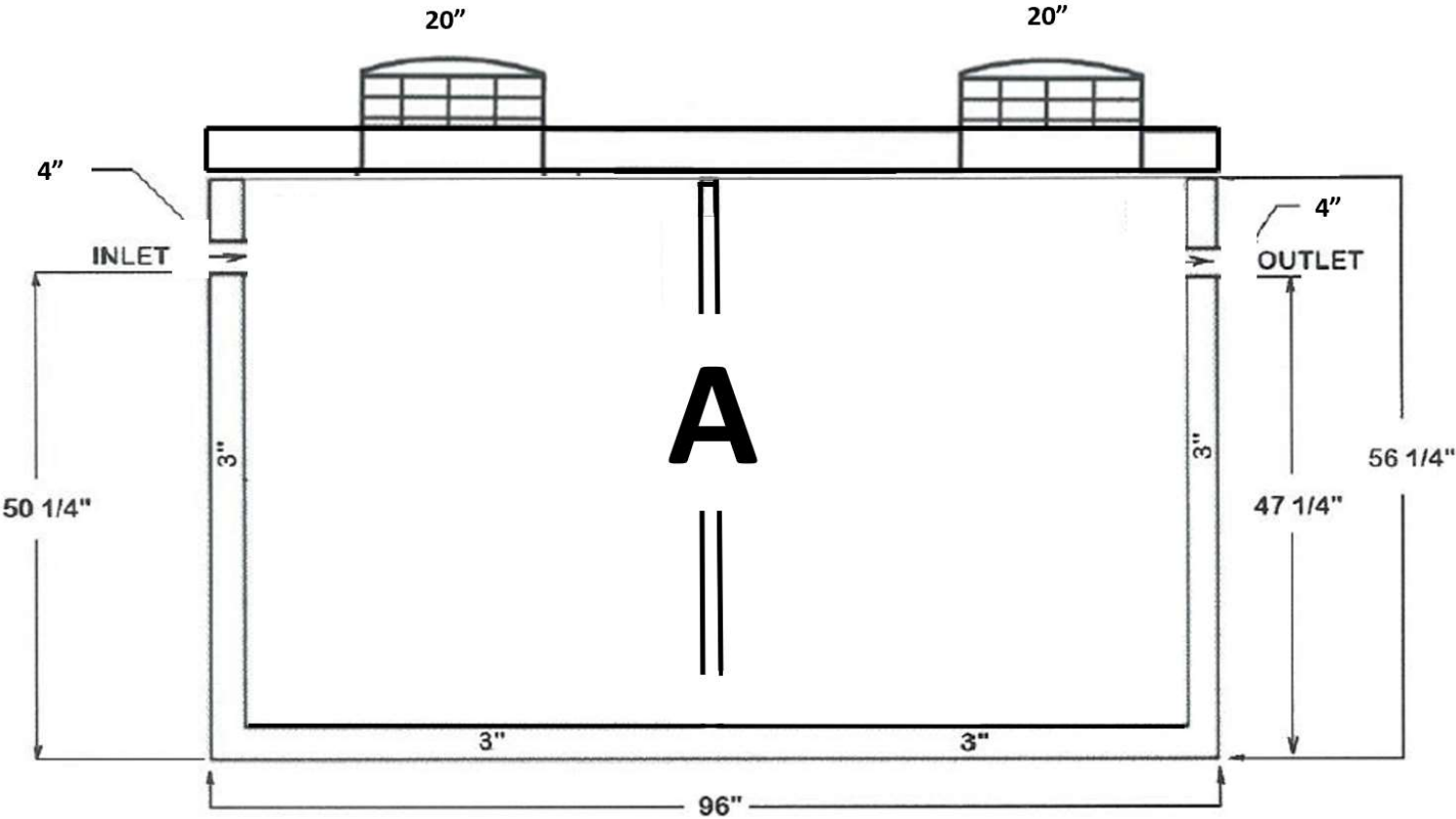
SPECIFICATIONS

Manufacturing: ASTM C-913
Concrete: 4,500 PSI at 28 days
Steel: ASTM A-615 grade 60
Structural Design: AASHTO HS-20



**PRECAST CONCRETE
PRODUCTS LLC.**

1,000GAL "A" TANK SEPTIC TANKS

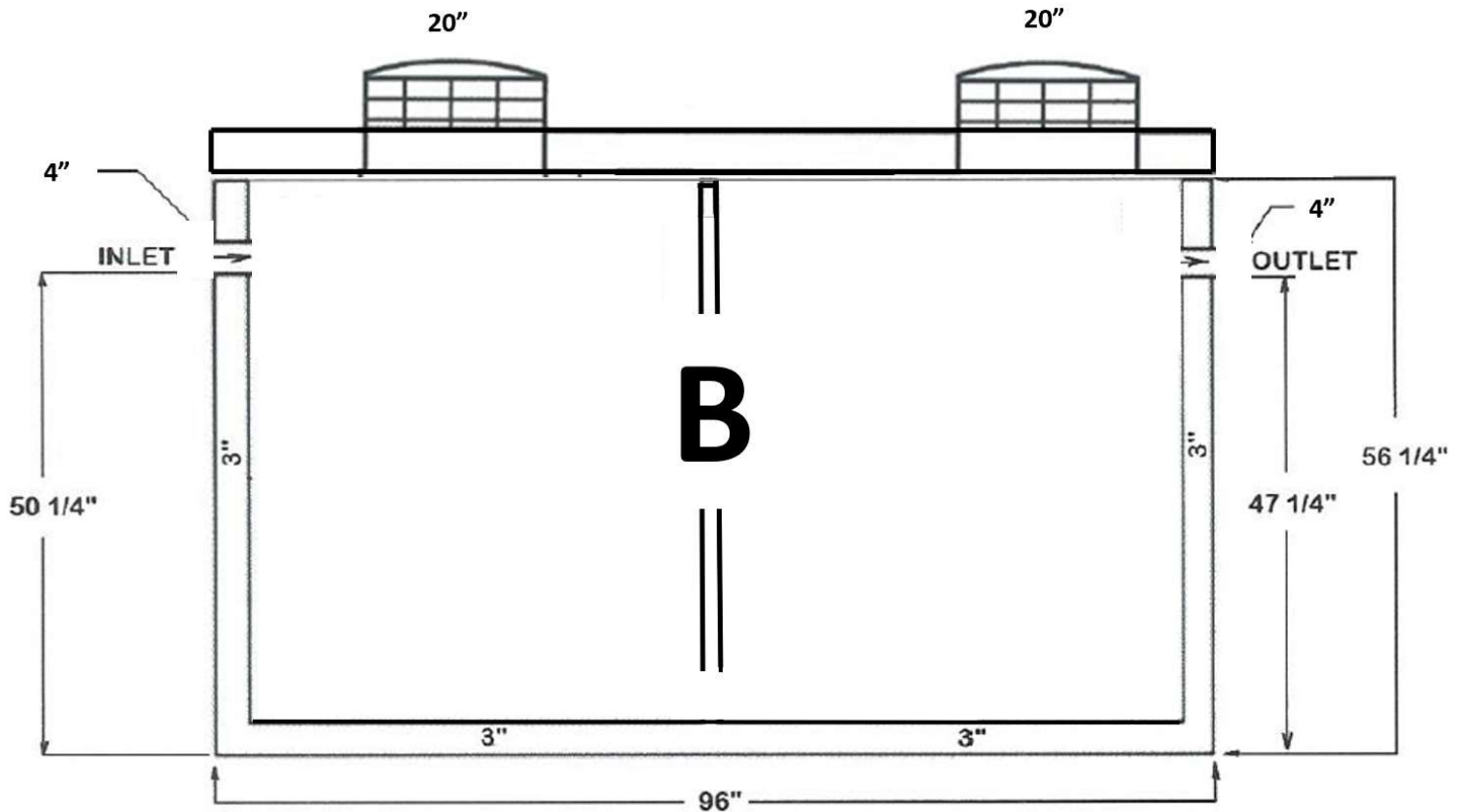


SPECIFICATIONS

Manufacturing: ASTM C-913
Concrete: 4,500 PSI at 28 days
Steel: ASTM A-615 grade 60
Structural Design: AASHTO HS-20



1,000GAL "B" Tank SEPTIC TANKS



SPECIFICATIONS

Manufacturing: ASTM C-913

Concrete: 4,500 PSI at 28 days

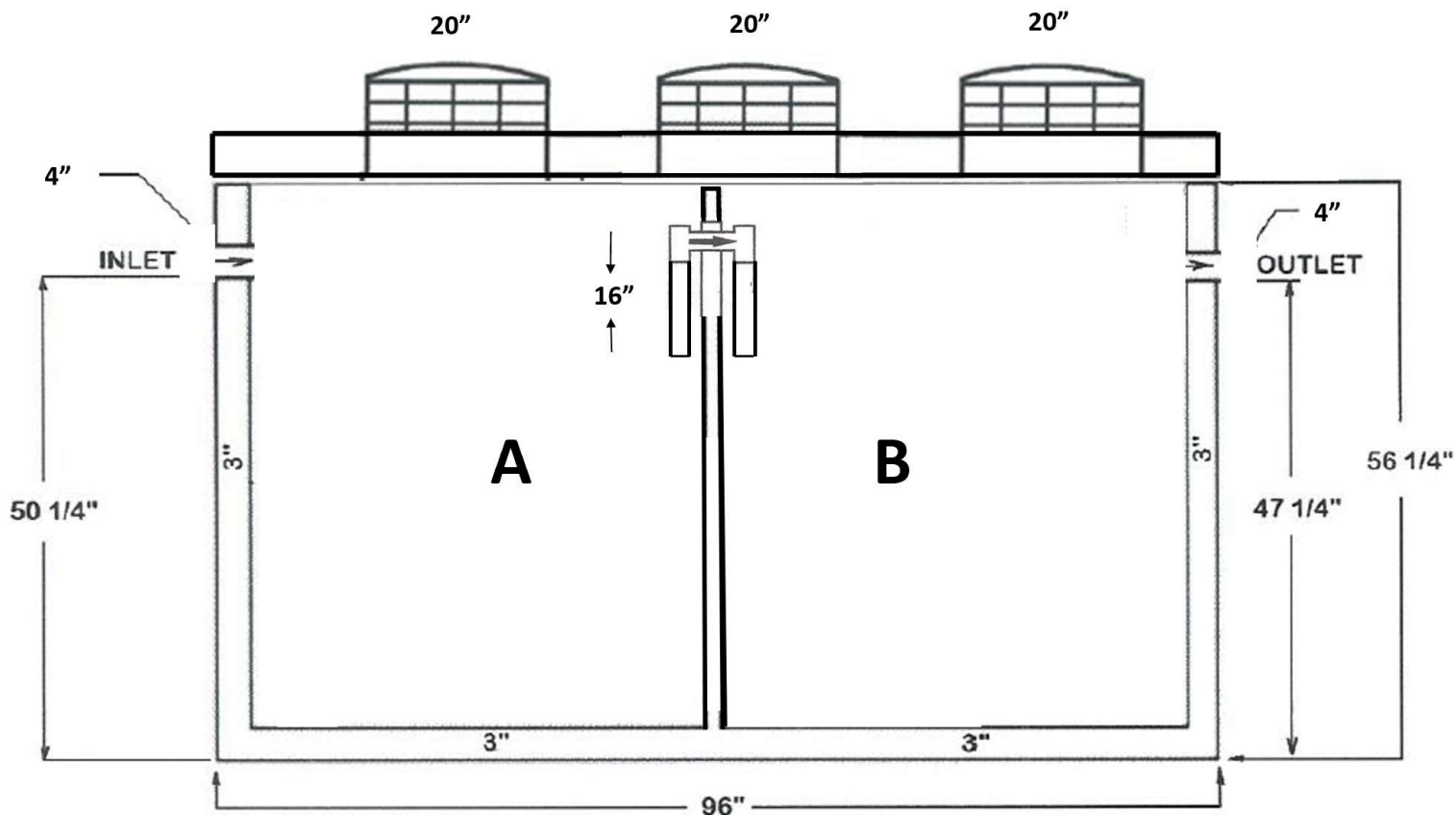
Steel: ASTM A-615 grade 60

Structural Design: AASHTO HS-20



**PRECAST CONCRETE
PRODUCTS LLC.**

1,000GAL AB COMBO SEPTIC TANKS



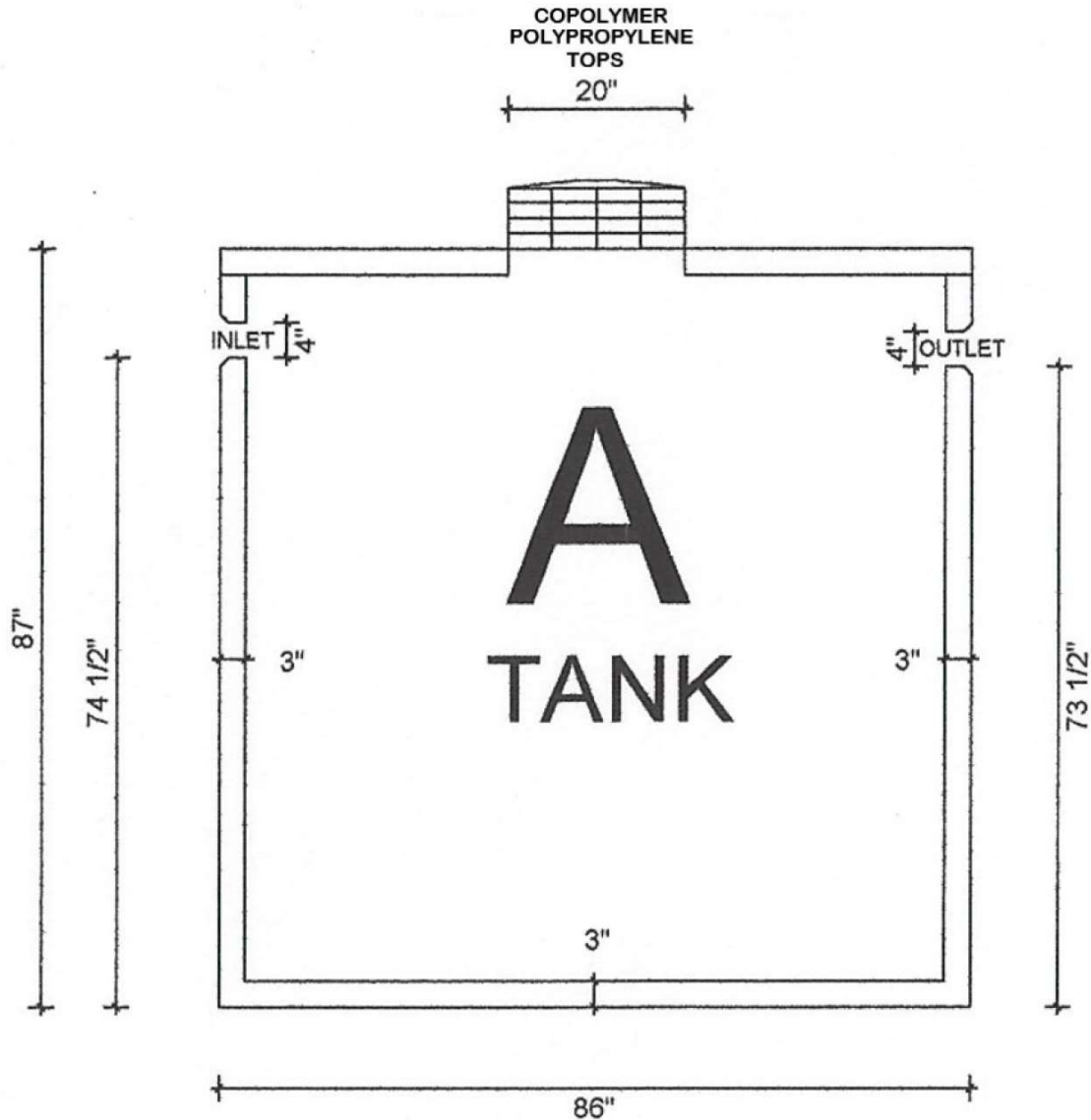
SPECIFICATIONS

Manufacturing: ASTM C-913
Concrete: 4,500 PSI at 28 days
Steel: ASTM A-615 grade 60
Structural Design: AASHTO HS-20



**PRECAST CONCRETE
PRODUCTS LLC.**

1,500GAL (A) Tank SEPTIC TANKS



SPECIFICATIONS

Manufacturing: ASTM C-913

Concrete: 4,500 PSI at 28 days

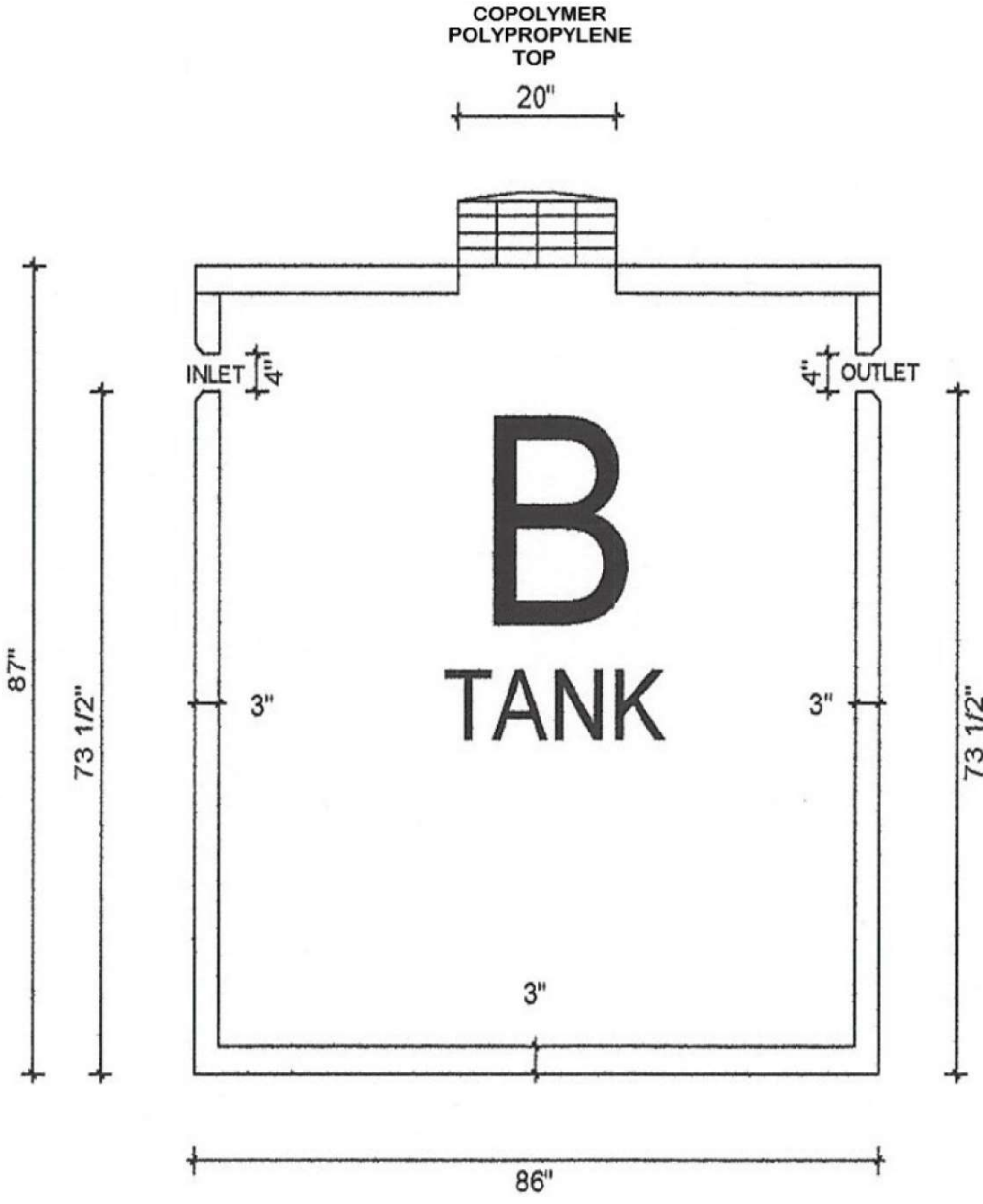
Steel: ASTM A-615 grade 60

Structural Design: AASHTO HS-20



**PRECAST CONCRETE
PRODUCTS LLC.**

1,500GAL (B) Tank SEPTIC TANKS



SPECIFICATIONS

Manufacturing: ASTM C-913
Concrete: 4,500 PSI at 28 days
Steel: ASTM A-615 grade 60
Structural Design: AASHTO HS-20



**PRECAST CONCRETE
PRODUCTS LLC.**

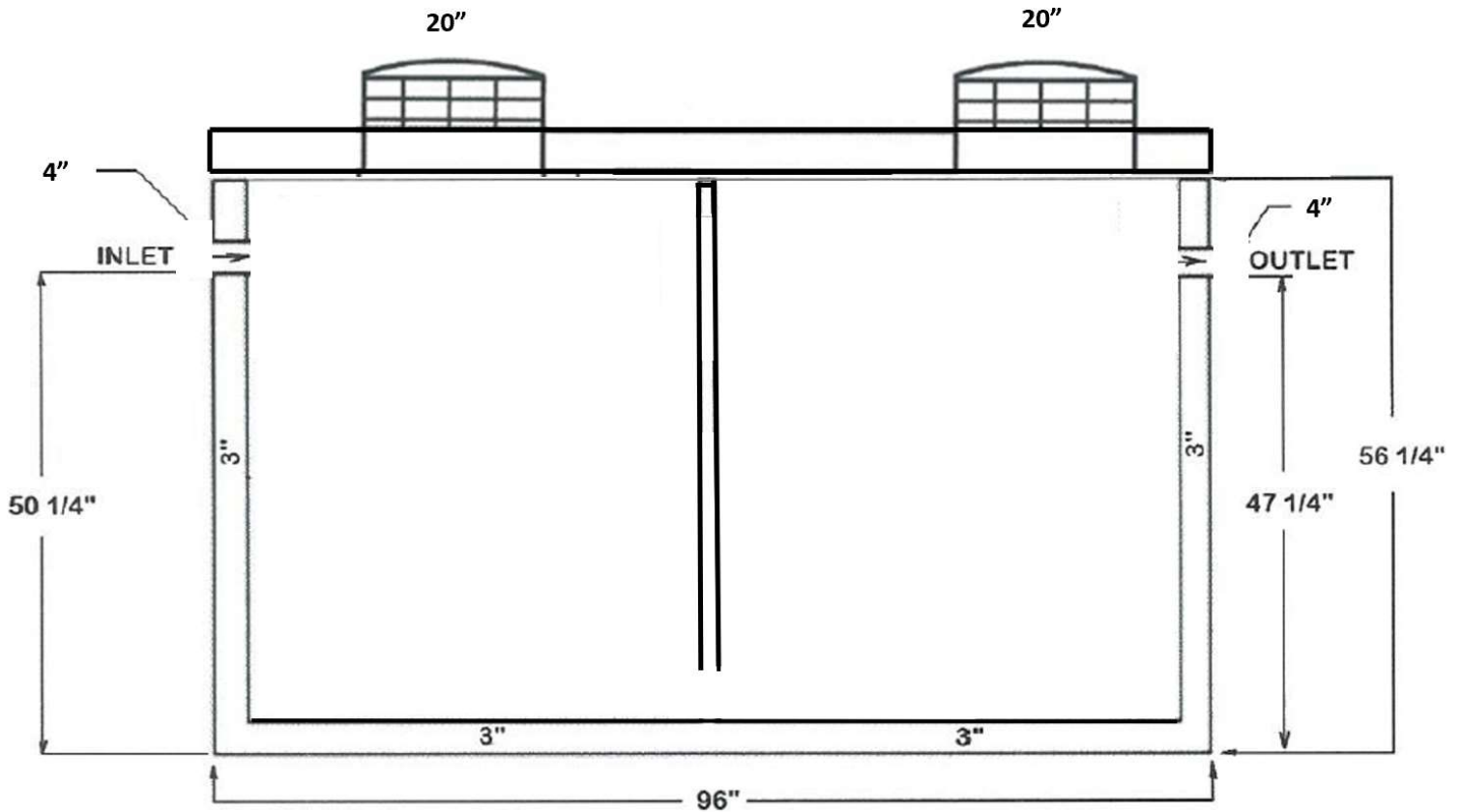


***PRECAST CONCRETE
PRODUCTS LLC.***

***HOLDING TANKS
PUMP TANKS***

1,000GAL Holding Tank

HOLDING TANKS



SPECIFICATIONS

Manufacturing: ASTM C-913

Concrete: 4,500 PSI at 28 days

Steel: ASTM A-615 grade 60

Structural Design: AASHTO HS-20



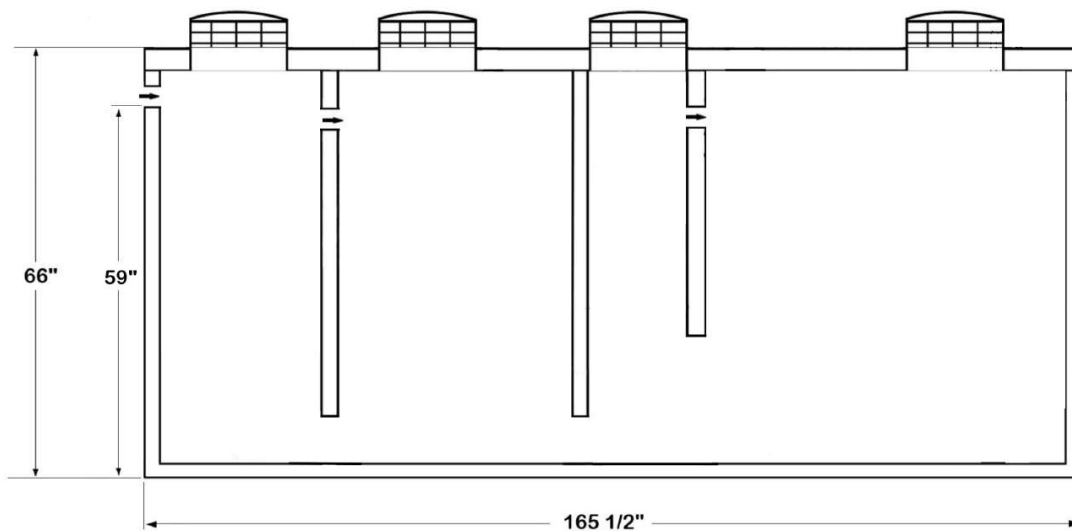
**PRECAST CONCRETE
PRODUCTS LLC.**

2,000GAL Holding Tank

HOLDING TANKS

TANK DIM. :
W- 63" H-66" L-165 1/2"

WEIGHT : 16,150



SPECIFICATIONS

Manufacturing: ASTM C-913

Concrete: 4,500 PSI at 28 days

Steel: ASTM A-615 grade 60

Structural Design: AASHTO HS-20

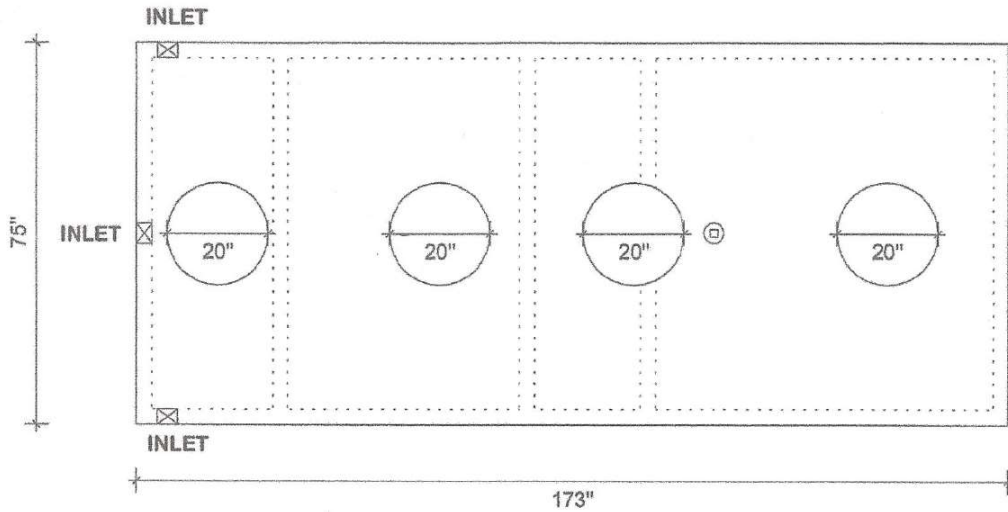


**PRECAST CONCRETE
PRODUCTS LLC.**

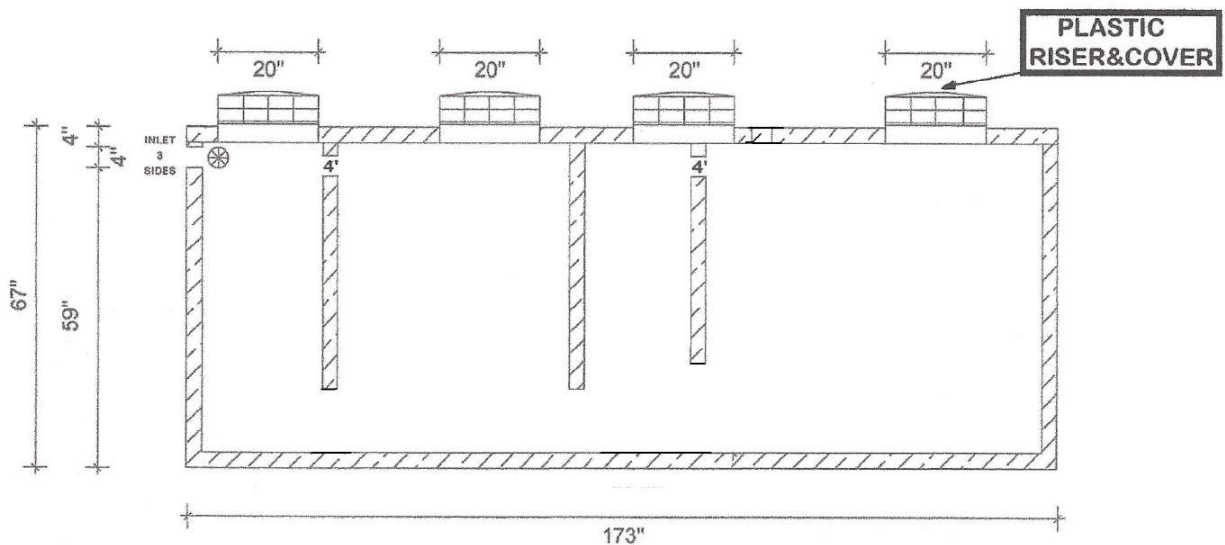
2,500GAL Holding Tank

HOLDING TANKS

TOP VIEW



SIDE VIEW



SPECIFICATIONS

Manufacturing: ASTM C-913

Concrete: 4,500 PSI at 28 days

Steel: ASTM A-615 grade 60

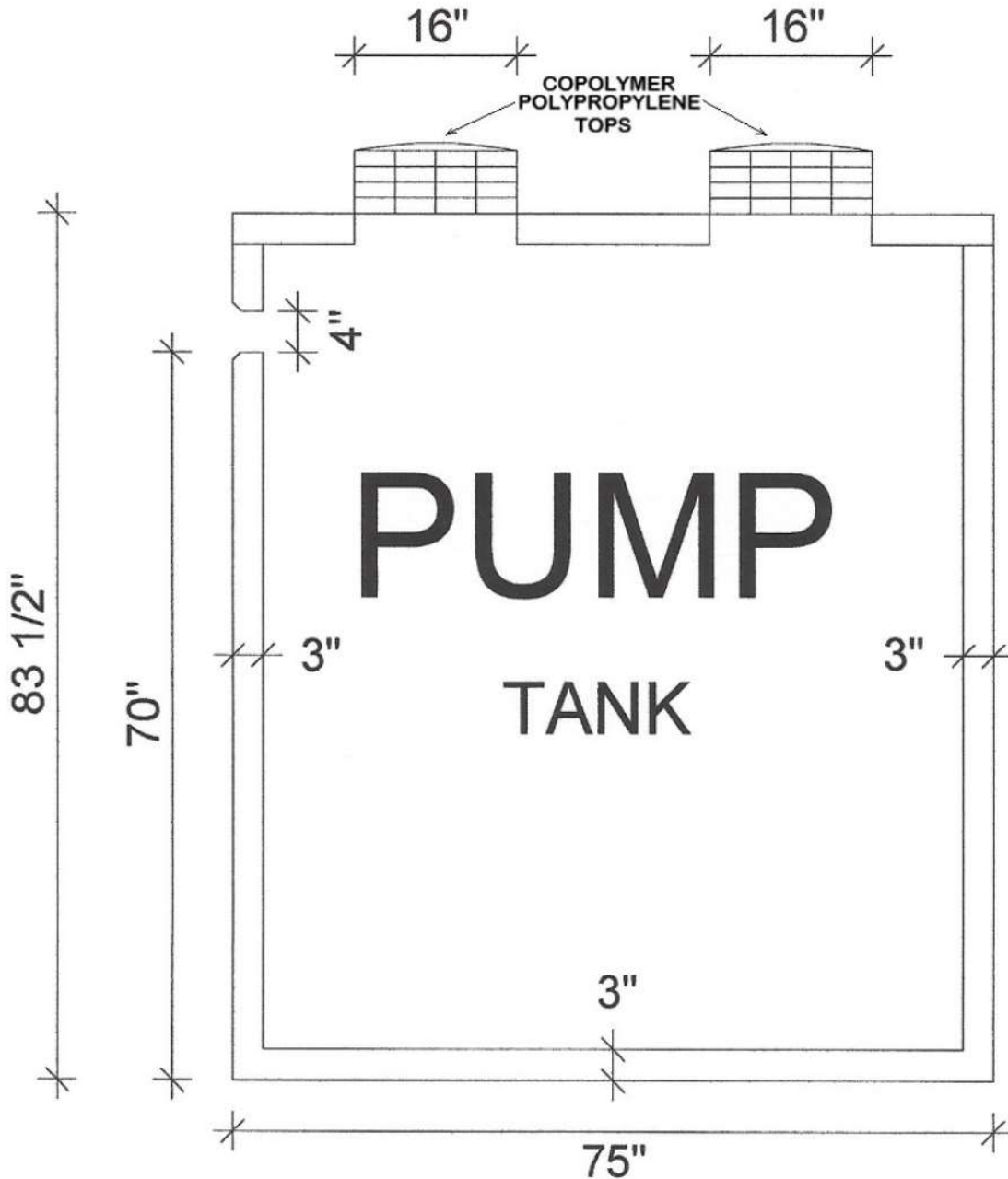
Structural Design: AASHTO HS-20



**PRECAST CONCRETE
PRODUCTS LLC.**

1,000GAL Pump Tank

PUMP TANKS



SPECIFICATIONS

Manufacturing: ASTM C-913

Concrete: 4,500 PSI at 28 days

Steel: ASTM A-615 grade 60

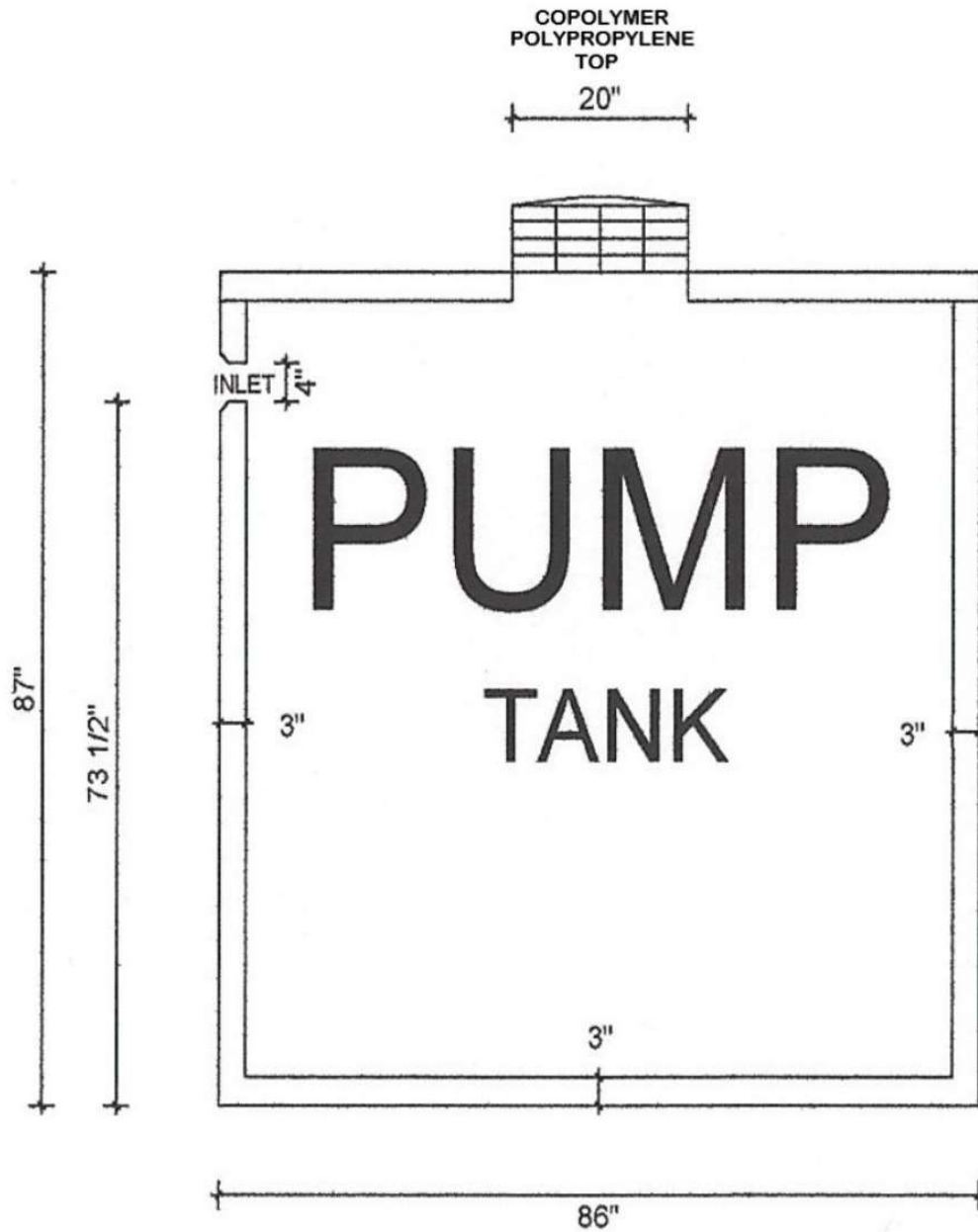
Structural Design: AASHTO HS-20



**PRECAST CONCRETE
PRODUCTS LLC.**

1,500GAL Pump Tank

PUMP TANKS



SPECIFICATIONS

Manufacturing: ASTM C-913

Concrete: 4,500 PSI at 28 days

Steel: ASTM A-615 grade 60

Structural Design: AASHTO HS-20



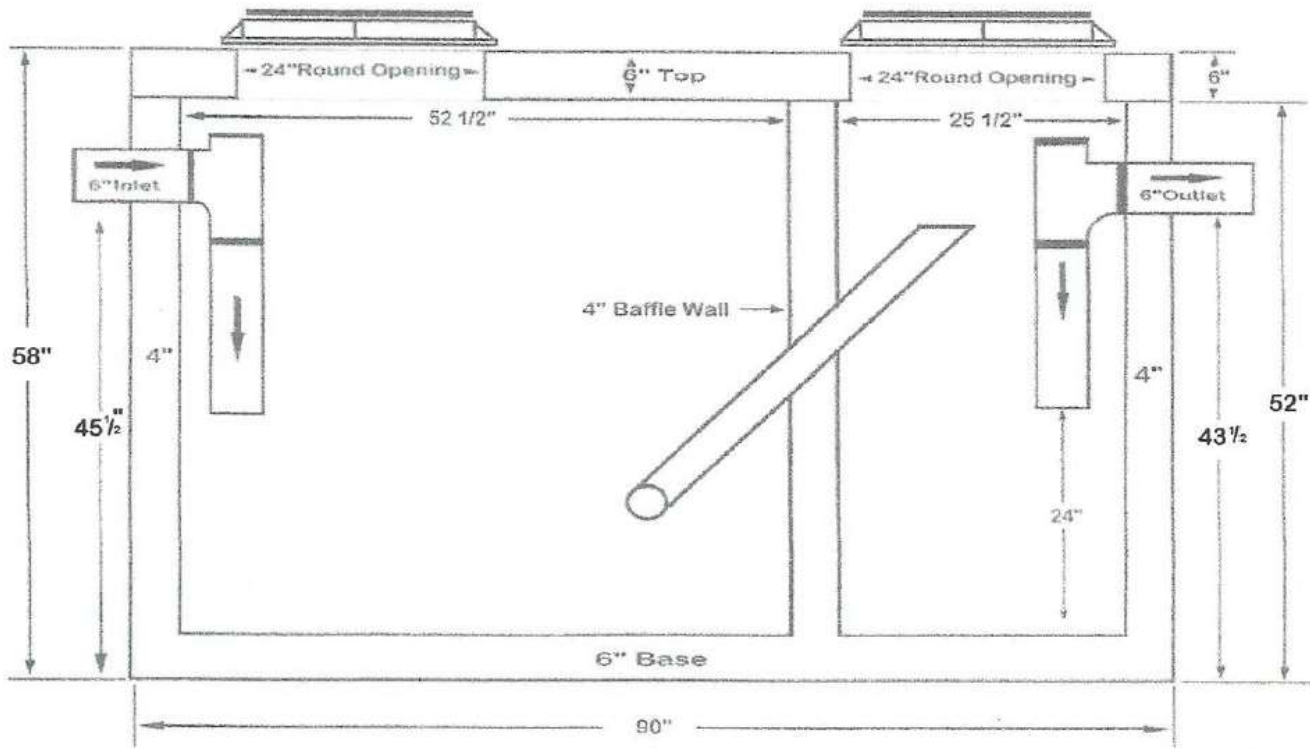
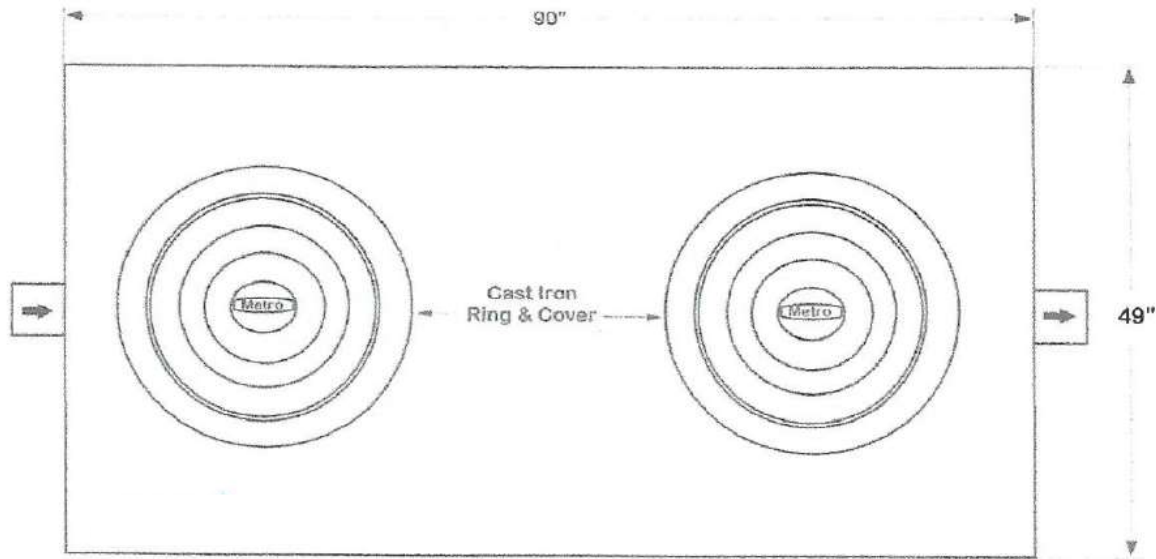
**PRECAST CONCRETE
PRODUCTS LLC.**



***PRECAST CONCRETE
PRODUCTS LLC.***

GREASE TRAPS

500GAL GREASE TRAPS



SPECIFICATIONS

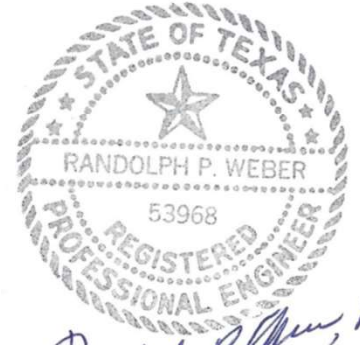
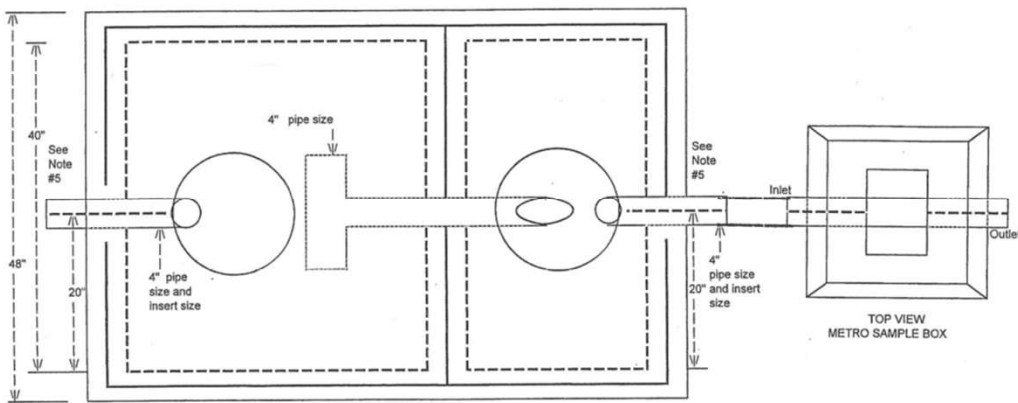
Manufacturing: ASTM C-913
Concrete: 4,500 PSI at 28 days
Steel: ASTM A-615 grade 60
Structural Design: AASHTO HS-20



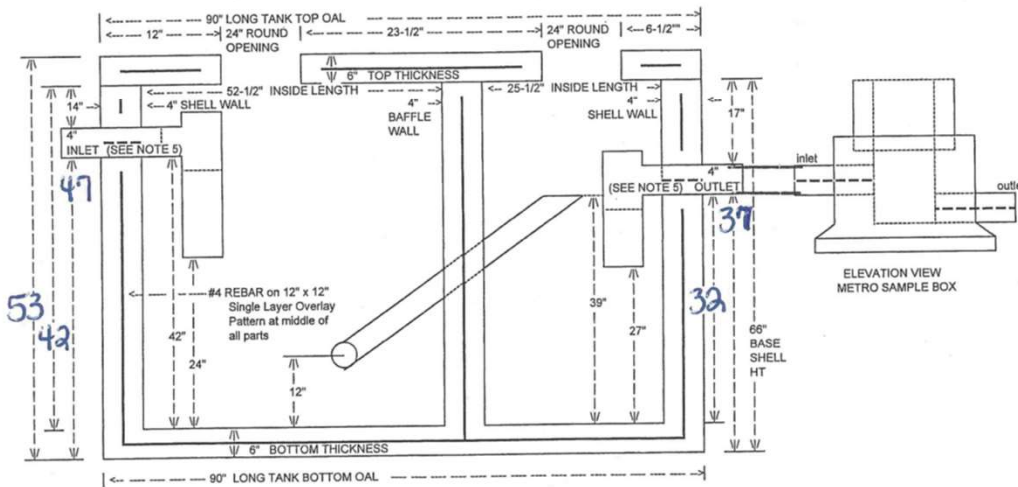
OVERALL ARRANGEMENT WITH SAMPLE BOX INCLUDED

Revision 1

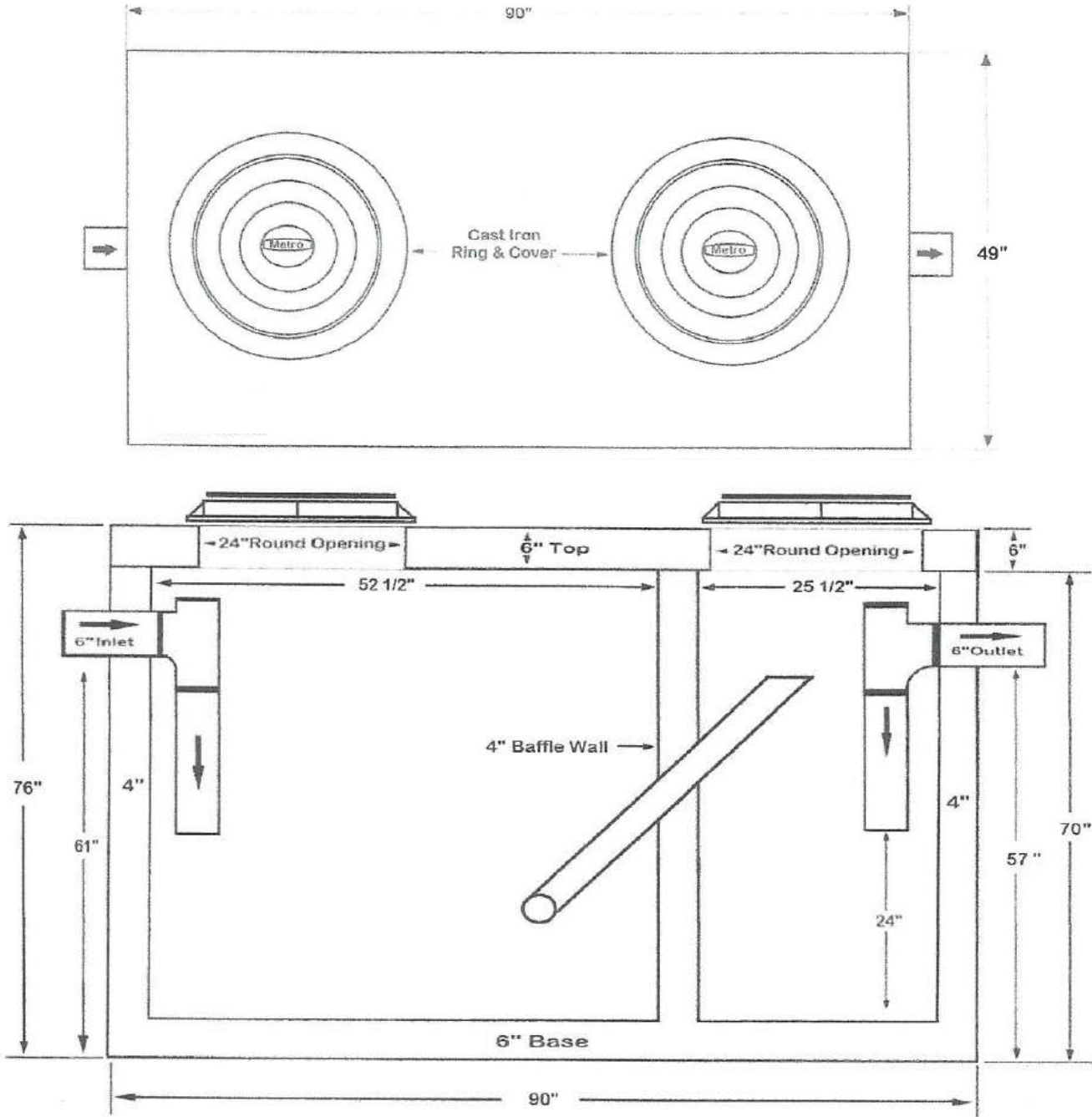
Top View of Grease Trap



Elevation View of Grease Trap



750GAL GREASE TRAPS

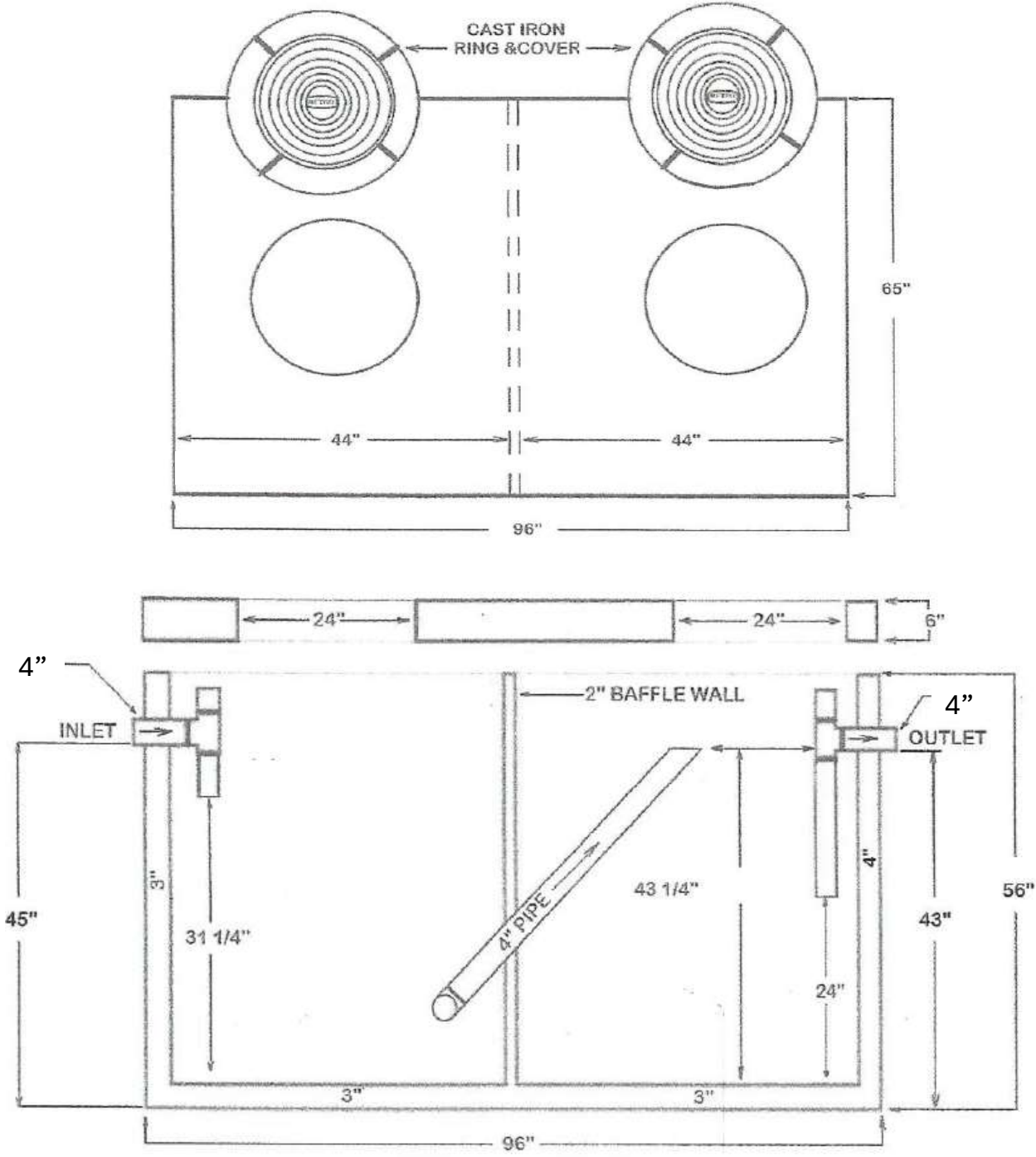


SPECIFICATIONS

Manufacturing: ASTM C-913
Concrete: 4,500 PSI at 28 days
Steel: ASTM A-615 grade 60
Structural Design: AASHTO HS-20



1,000GAL (4") GREASE TRAPS

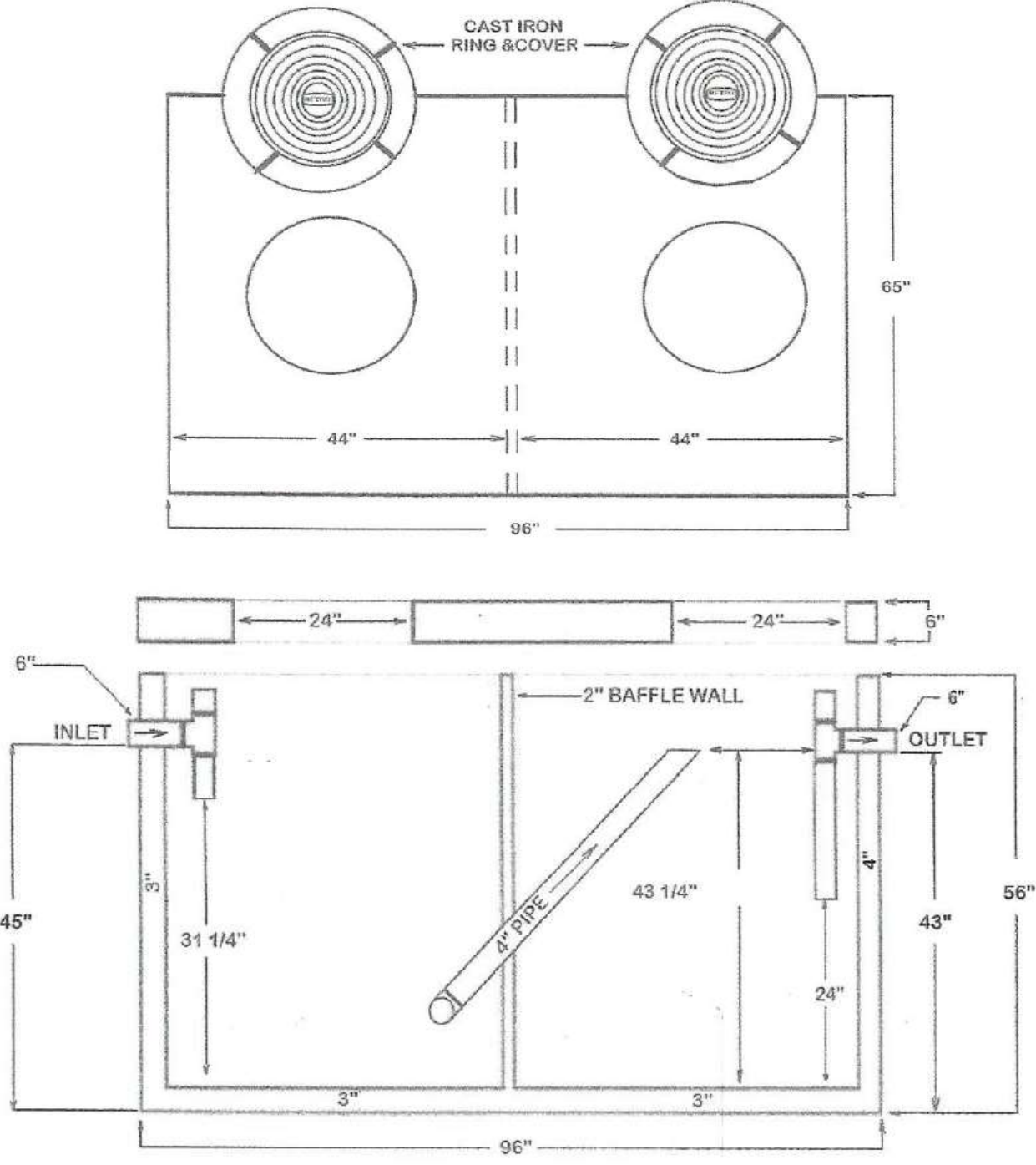


SPECIFICATIONS

Manufacturing: ASTM C-913
Concrete: 4,500 PSI at 28 days
Steel: ASTM A-615 grade 60
Structural Design: AASHTO HS-20



1,000GAL (6") GREASE TRAPS



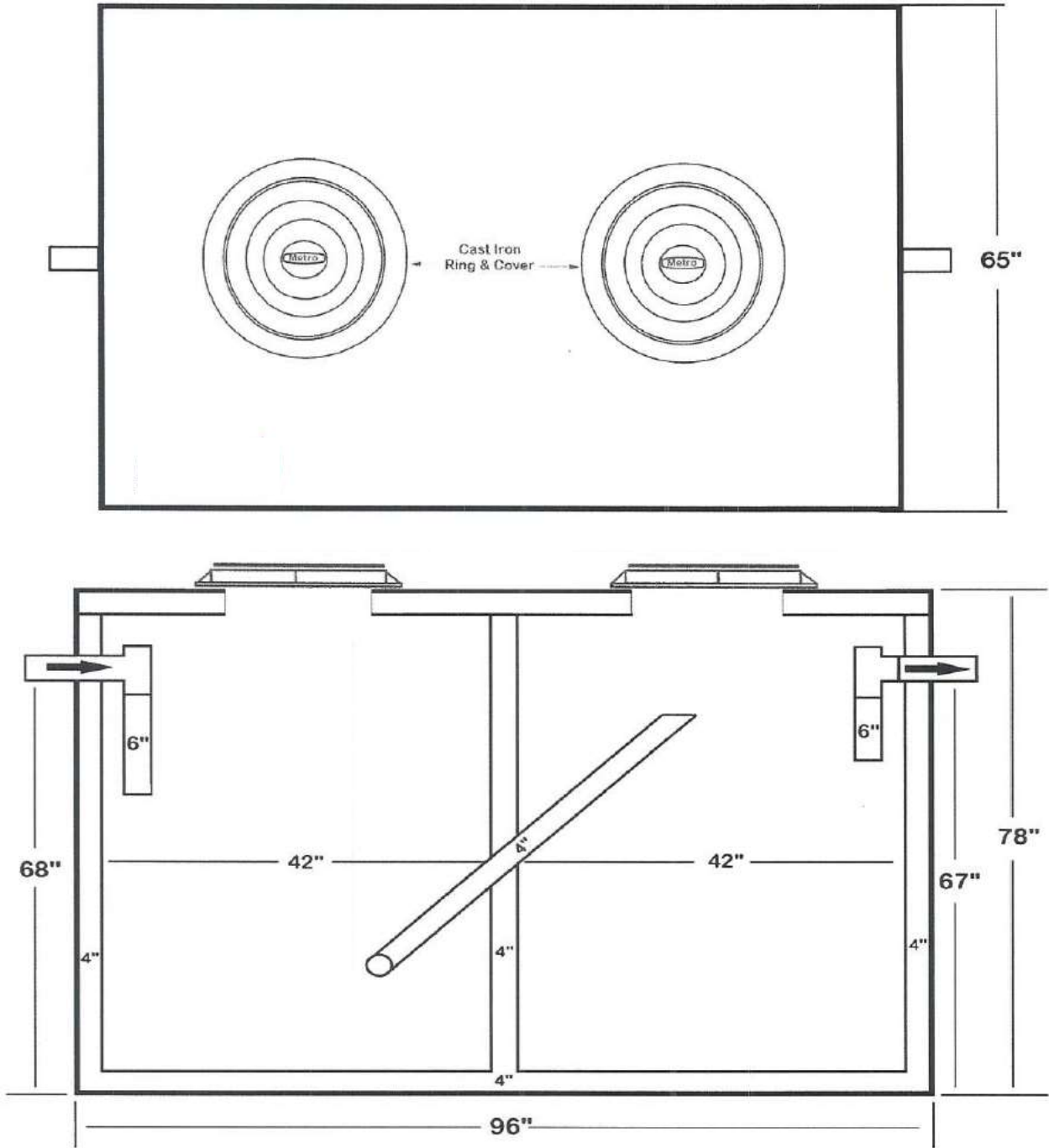
SPECIFICATIONS

- Manufacturing:** ASTM C-913
- Concrete:** 4,500 PSI at 28 days
- Steel:** ASTM A-615 grade 60
- Structural Design:** AASHTO HS-20



**PRECAST CONCRETE
PRODUCTS LLC.**

1,250GAL GREASE TRAPS

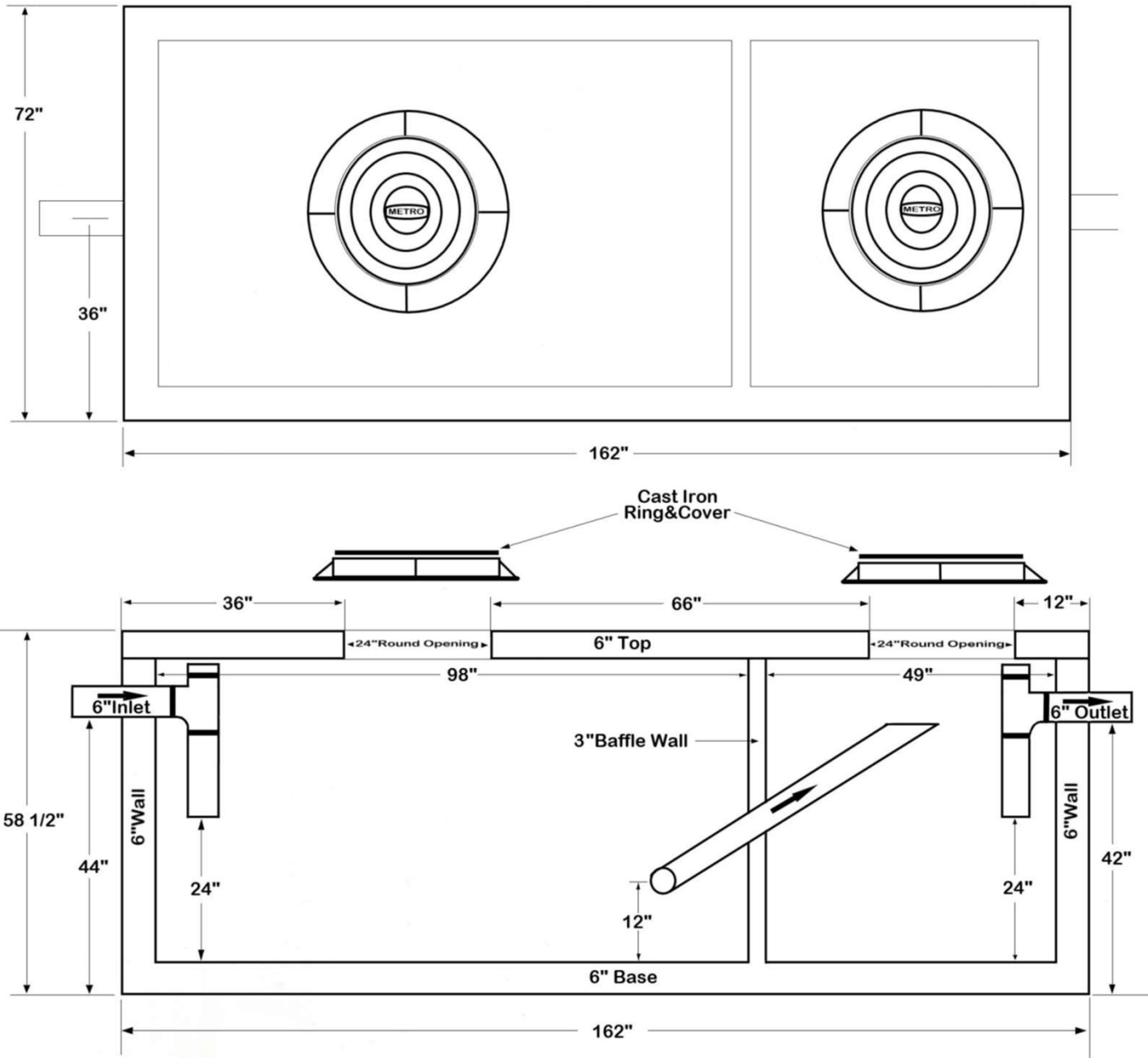


SPECIFICATIONS

Manufacturing: ASTM C-913
Concrete: 4,500 PSI at 28 days
Steel: ASTM A-615 grade 60
Structural Design: AASHTO HS-20



1,500GAL GREASE TRAPS



SPECIFICATIONS

Manufacturing: ASTM C-913

Concrete: 4,500 PSI at 28 days

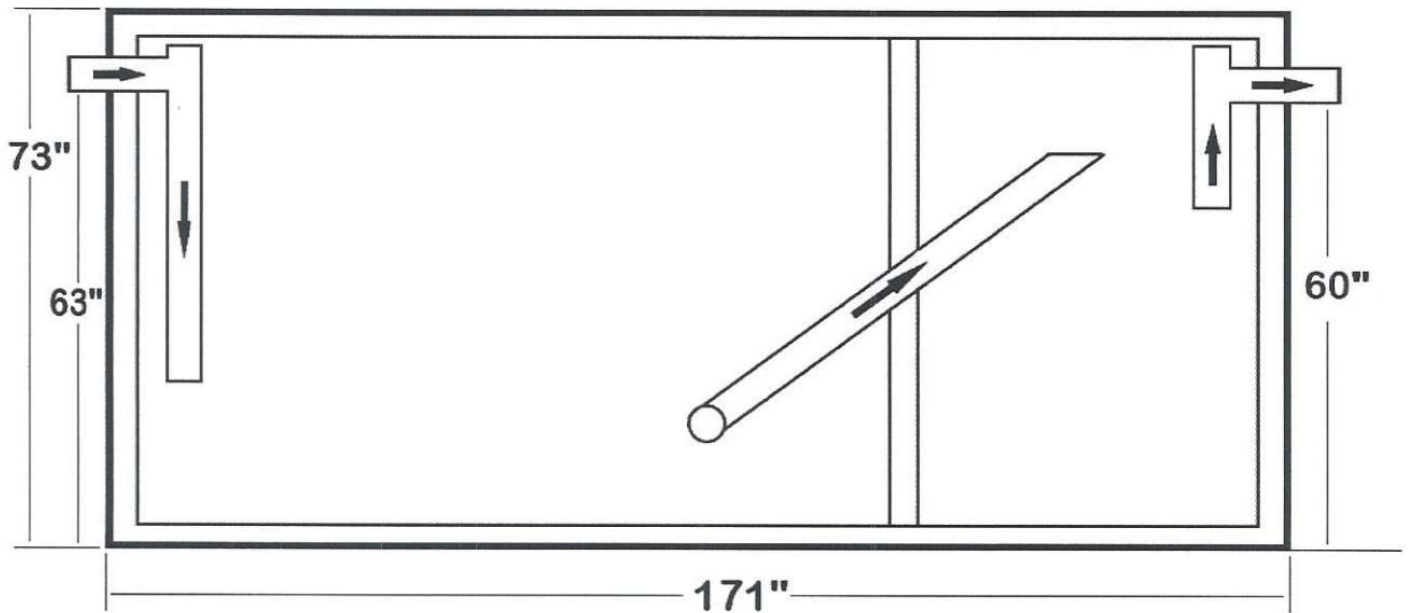
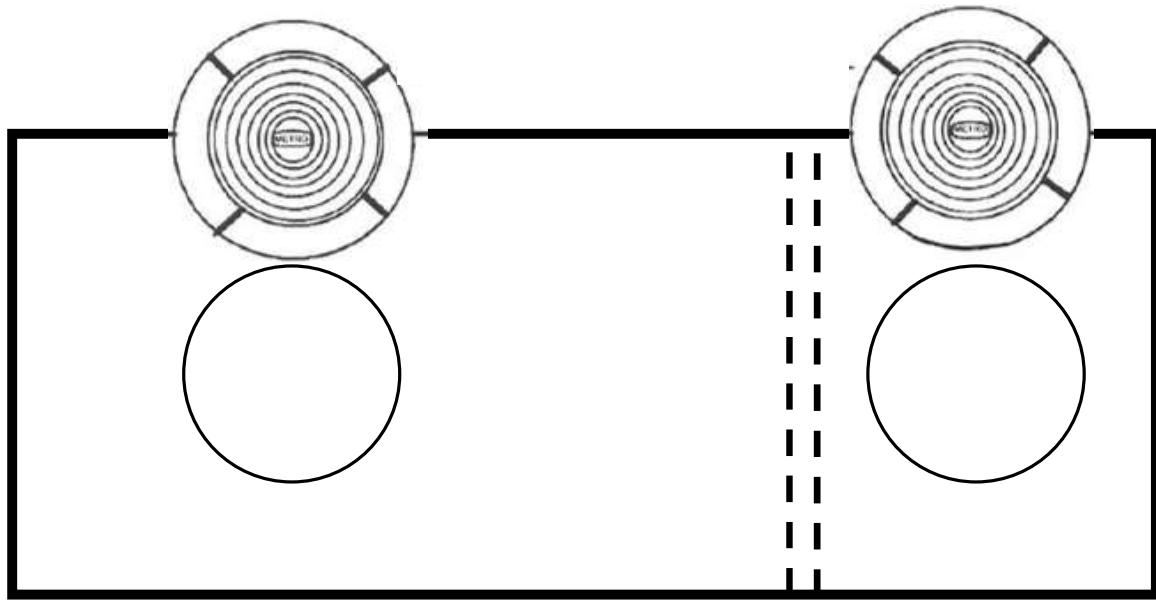
Steel: ASTM A-615 grade 60

Structural Design: AASHTO HS-20



**PRECAST CONCRETE
PRODUCTS LLC.**

2,000GAL GREASE TRAPS



SPECIFICATIONS

Manufacturing: ASTM C-913

Concrete: 4,500 PSI at 28 days

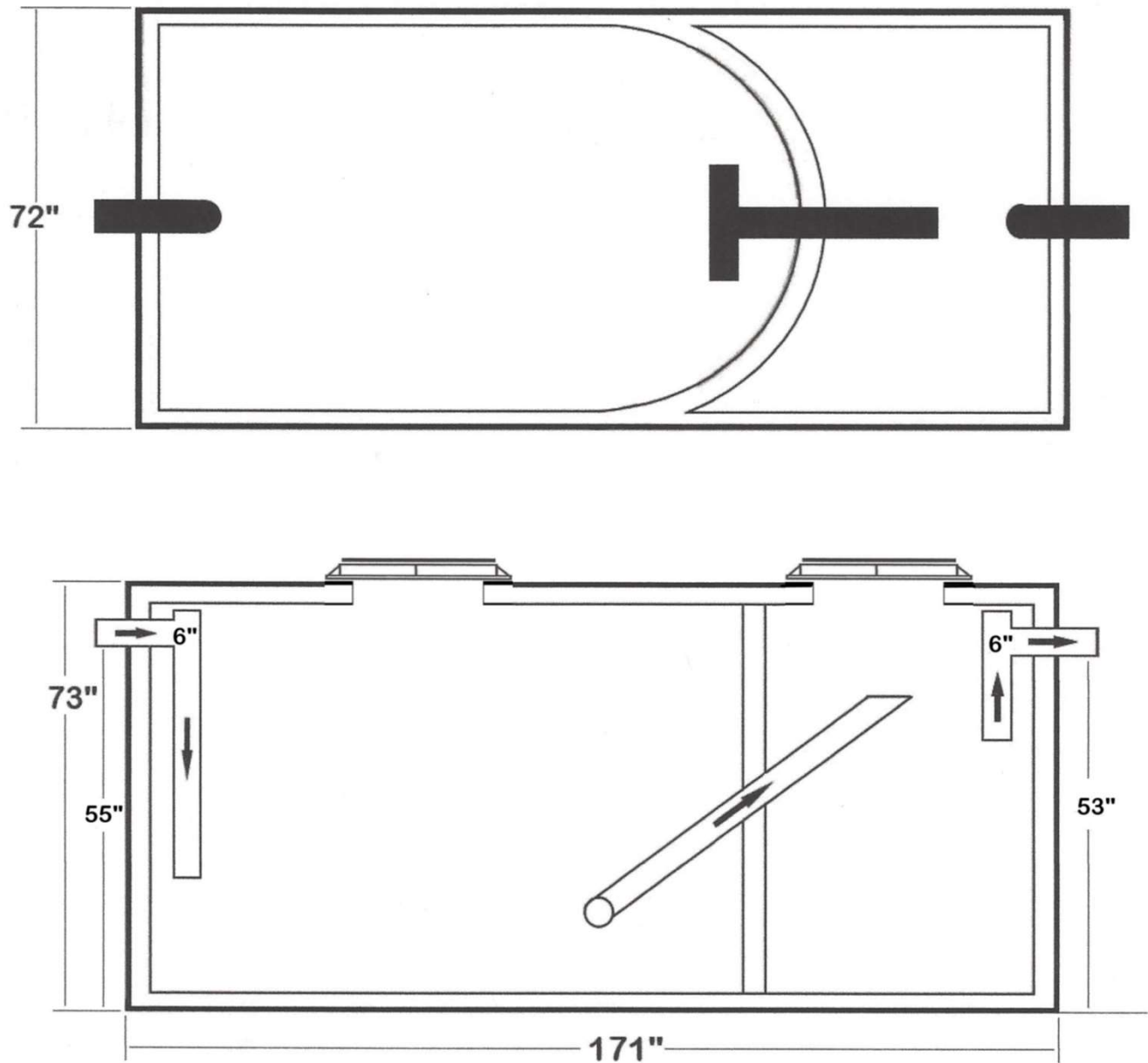
Steel: ASTM A-615 grade 60

Structural Design: AASHTO HS-20



**PRECAST CONCRETE
PRODUCTS LLC.**

2,500GAL GREASE TRAPS



SPECIFICATIONS

Manufacturing: ASTM C-913

Concrete: 4,500 PSI at 28 days

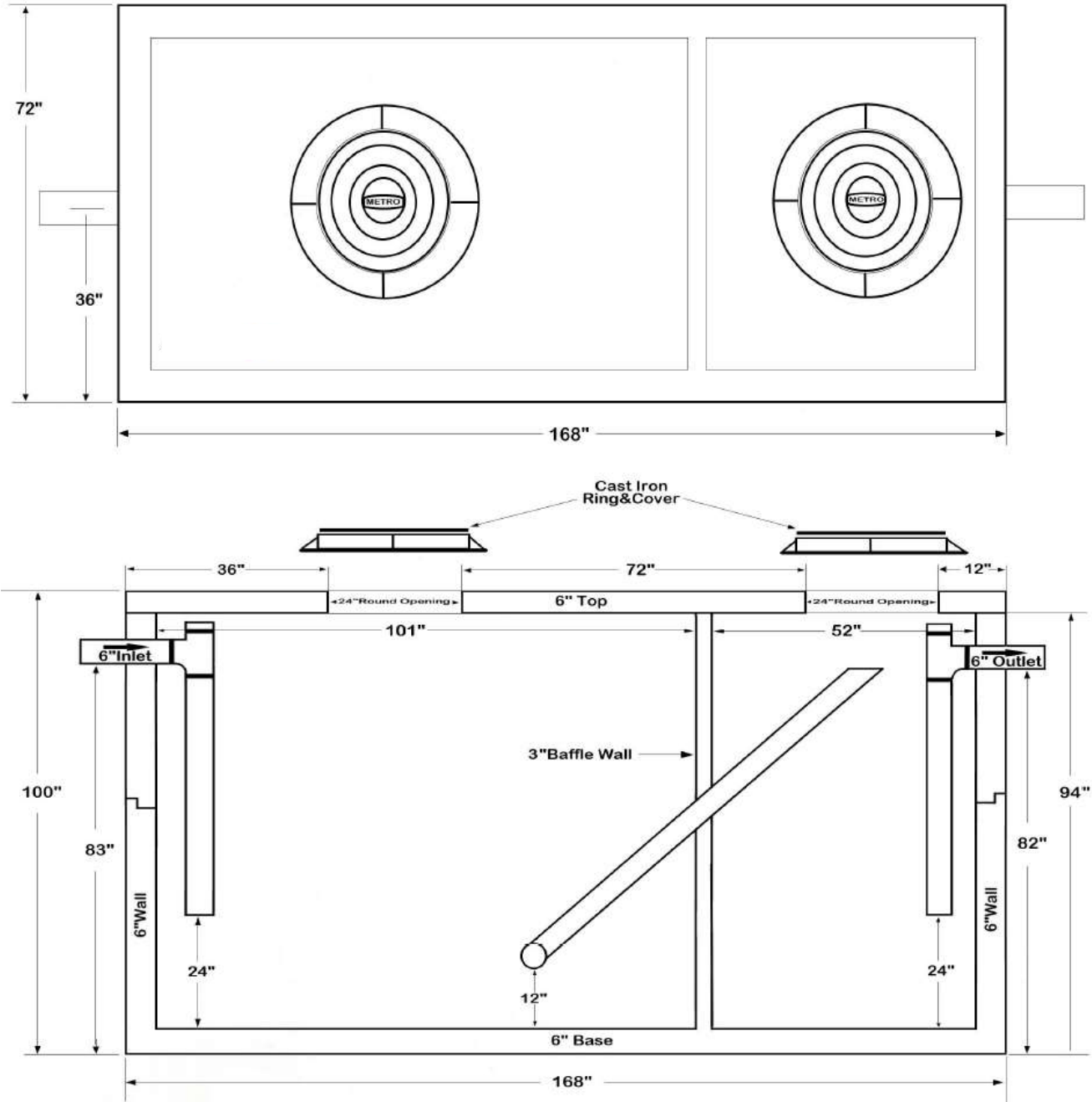
Steel: ASTM A-615 grade 60

Structural Design: AASHTO HS-20



**PRECAST CONCRETE
PRODUCTS LLC.**

3,000GAL GREASE TRAPS

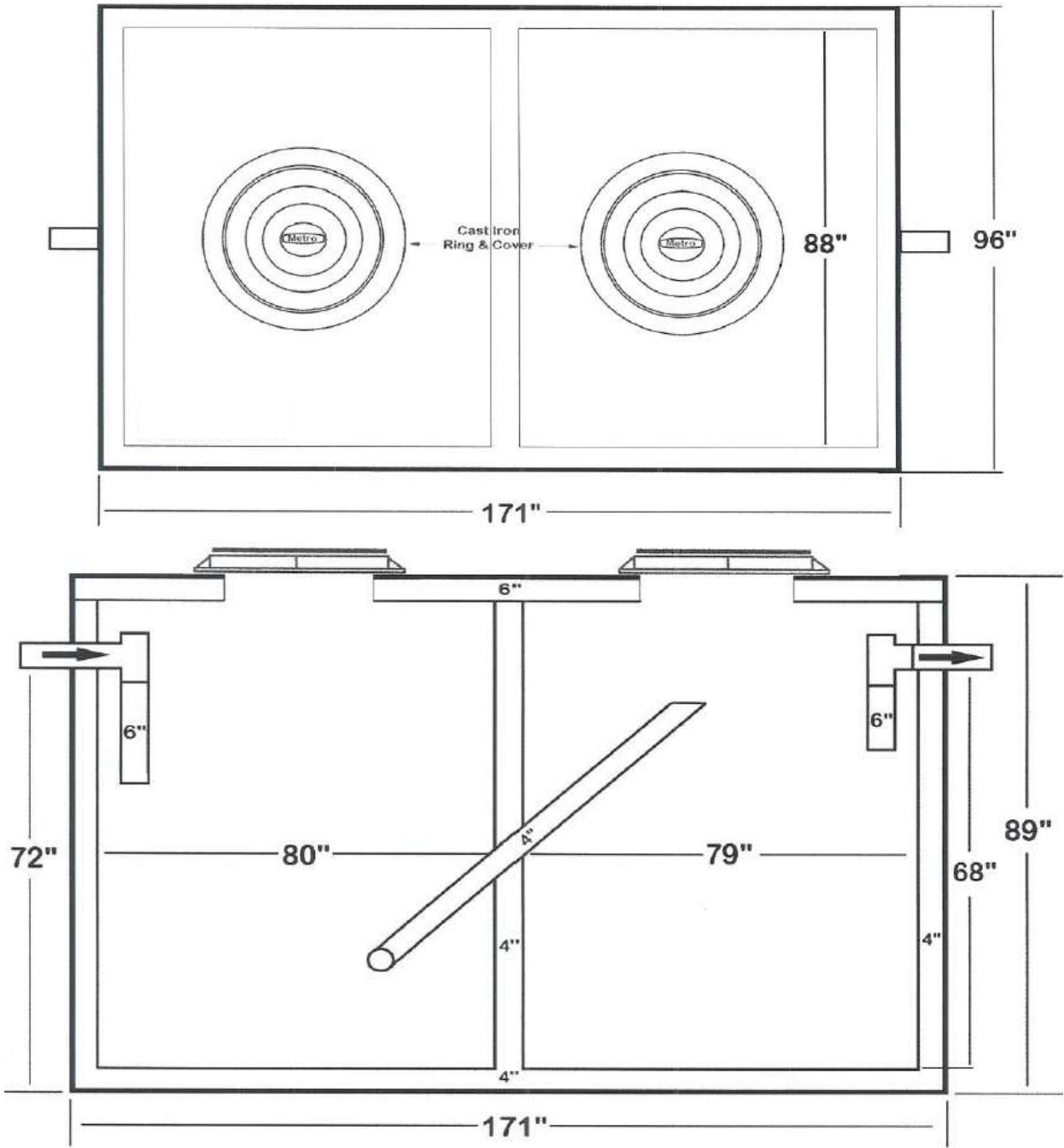


SPECIFICATIONS

Manufacturing: ASTM C-913
Concrete: 4,500 PSI at 28 days
Steel: ASTM A-615 grade 60
Structural Design: AASHTO HS-20



4,000GAL GREASE TRAPS

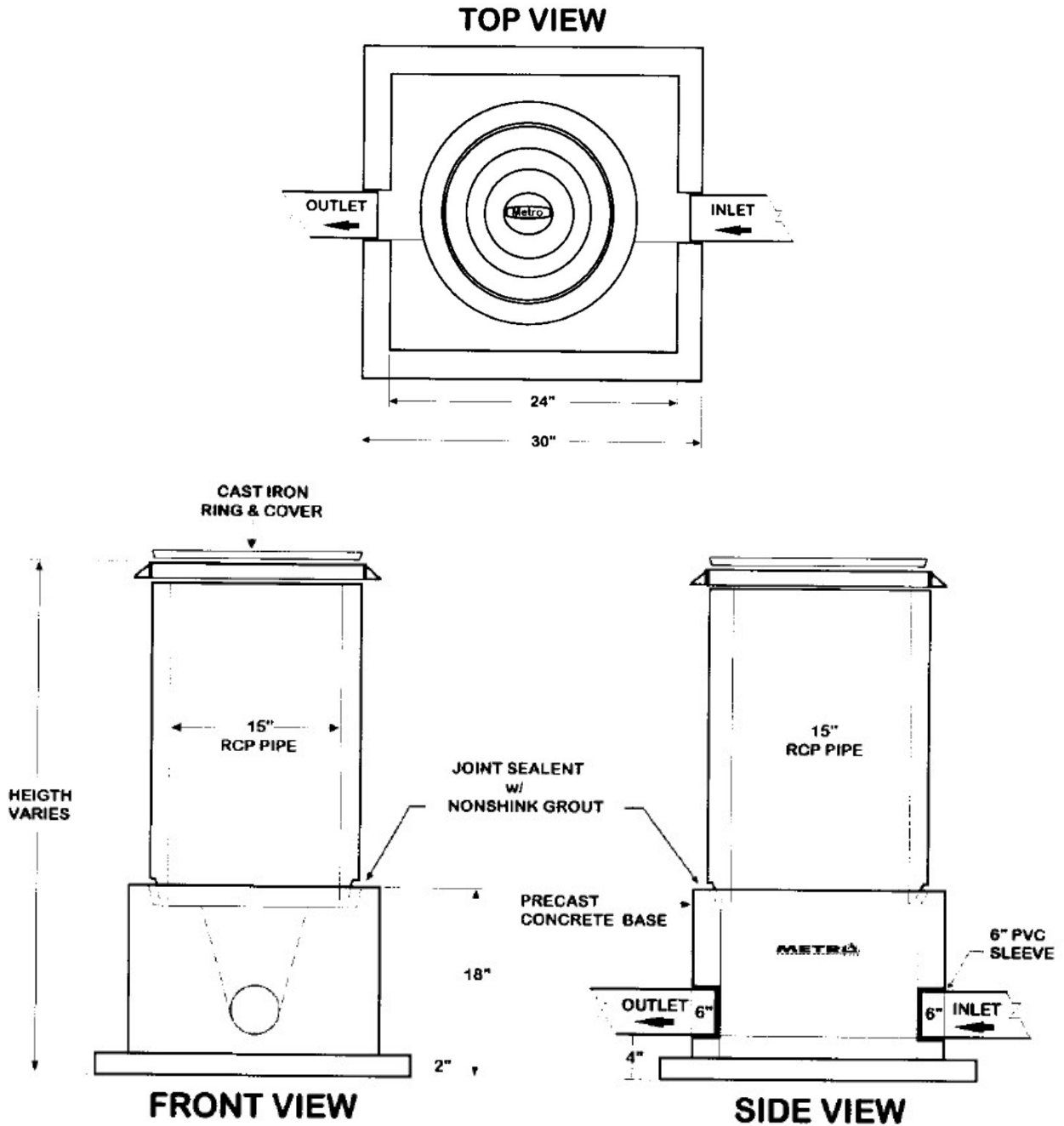


SPECIFICATIONS

Manufacturing: ASTM C-913
Concrete: 4,500 PSI at 28 days
Steel: ASTM A-615 grade 60
Structural Design: AASHTO HS-20



SAMPLE WELL (15") GREASE TRAPS



SPECIFICATIONS

Manufacturing: ASTM C-913

Concrete: 4,500 PSI at 28 days

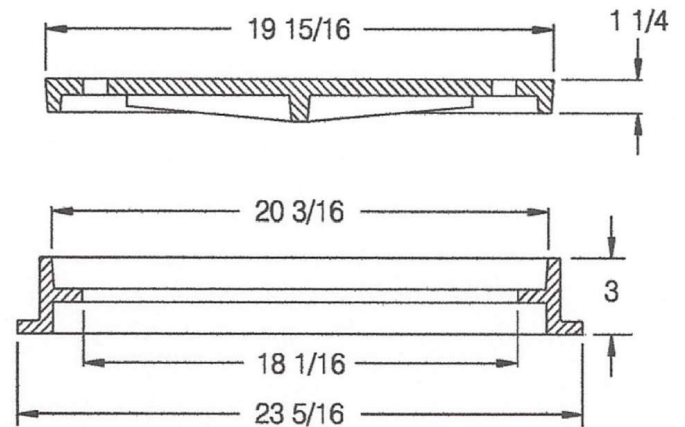
Steel: ASTM A-615 grade 60

Structural Design: AASHTO HS-20



**PRECAST CONCRETE
PRODUCTS LLC.**

Sample Well RING AND COVER



DESCRIPTION
SAMPLE WELL RING & COVER

SPECIFICATIONS

Manufacturing: ASTM C-913
Concrete: 4,500 PSI at 28 days
Steel: ASTM A-615 grade 60
Structural Design: AASHTO HS-20



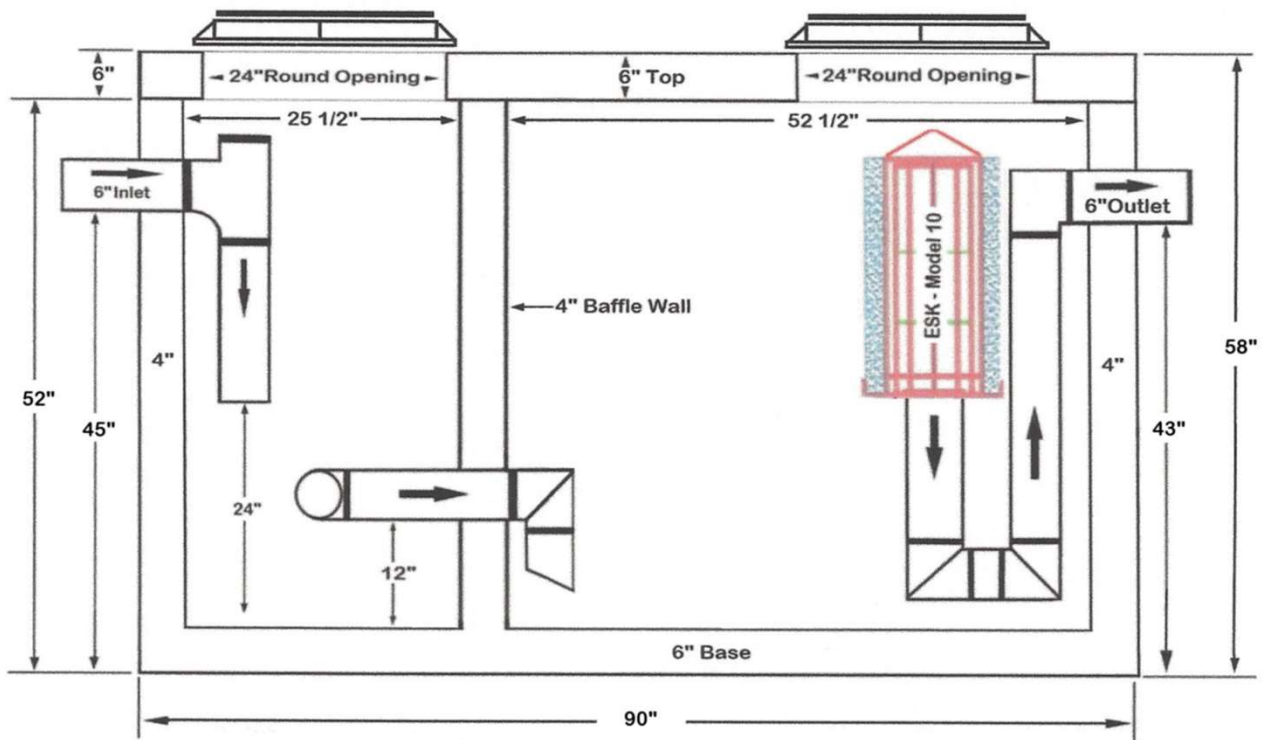
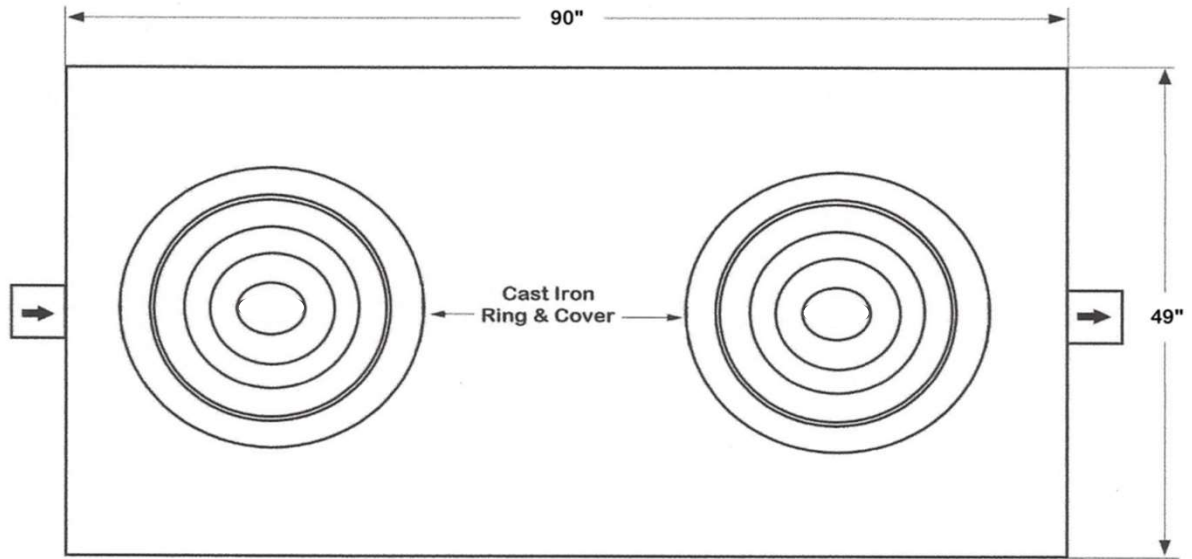
**PRECAST CONCRETE
PRODUCTS LLC.**



***PRECAST CONCRETE
PRODUCTS LLC.***

***OIL/WATER
SEPARATORS***

500GAL OIL/WATER SEPARATORS



SPECIFICATIONS

Manufacturing: ASTM C-913

Concrete: 4,500 PSI at 28 days

Steel: ASTM A-615 grade 60

Structural Design: AASHTO HS-20

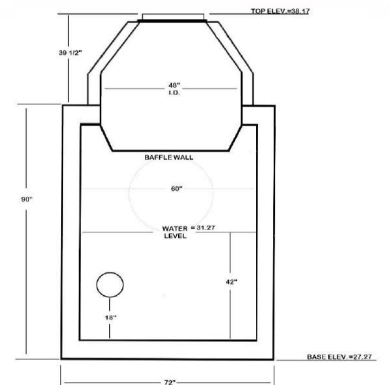
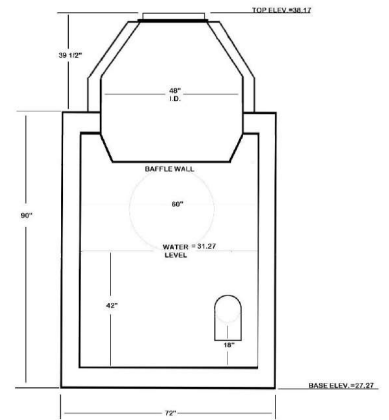
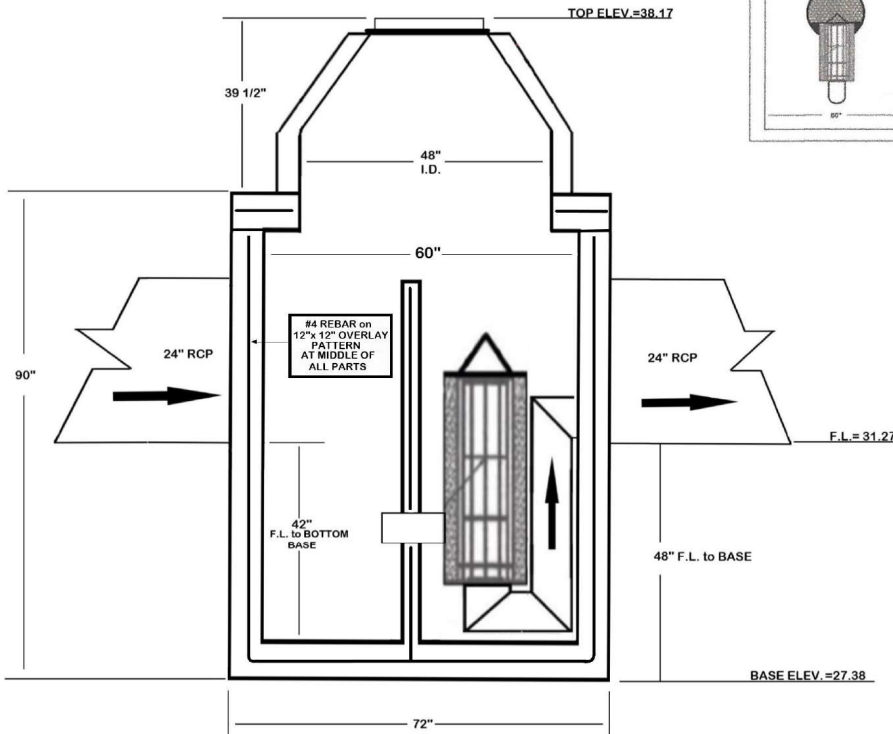
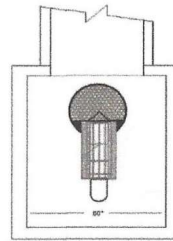


**PRECAST CONCRETE
PRODUCTS LLC.**

600GAL OIL/WATER SEPARATORS

Note: Sump Volume 624 Gal. Cal. 5'x5'x 3'.34" = 83.5 ft. ³ X 7.48 = 624	Model No.	Total Capacity U.S. Gal.	Unit Performance		
	MCP-OSW-600	624	Flow Rate cfs	Solids GPM	Oil-US Gal
FLOW RATE= 300 GPM			0.67	300	58 292

2.89 ACRE SITE



SPECIFICATIONS

Manufacturing: ASTM C-913

Concrete: 4,500 PSI at 28 days

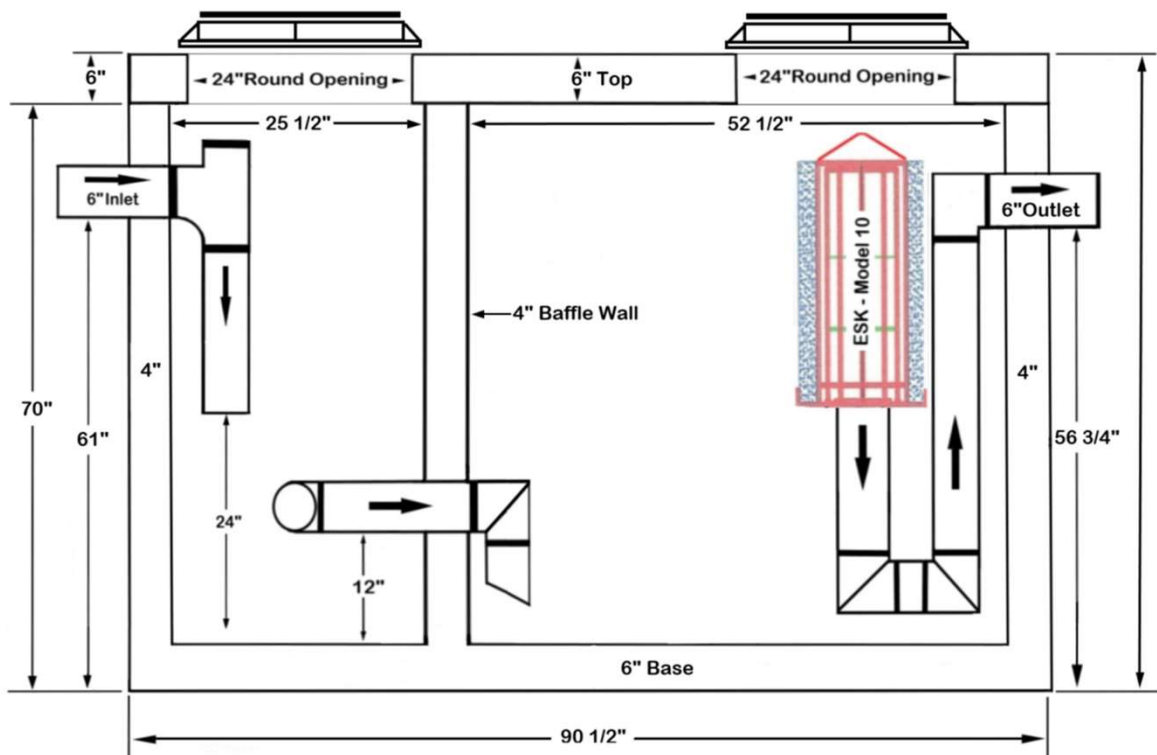
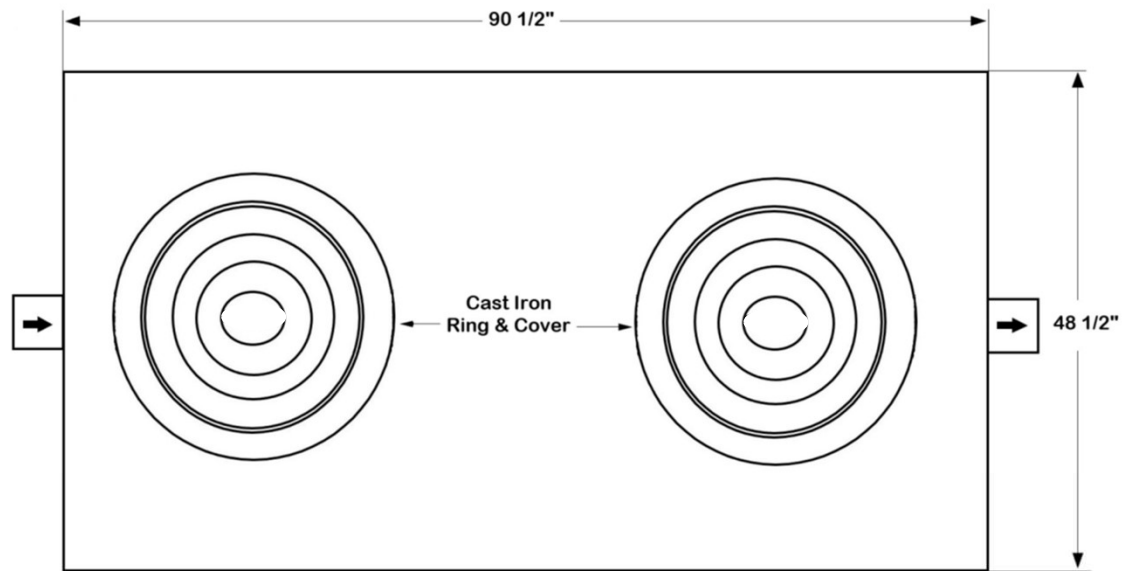
Steel: ASTM A-615 grade 60

Structural Design: AASHTO HS-20



**PRECAST CONCRETE
PRODUCTS LLC.**

750GAL OIL/WATER SEPARATORS



SPECIFICATIONS

Manufacturing: ASTM C-913

Concrete: 4,500 PSI at 28 days

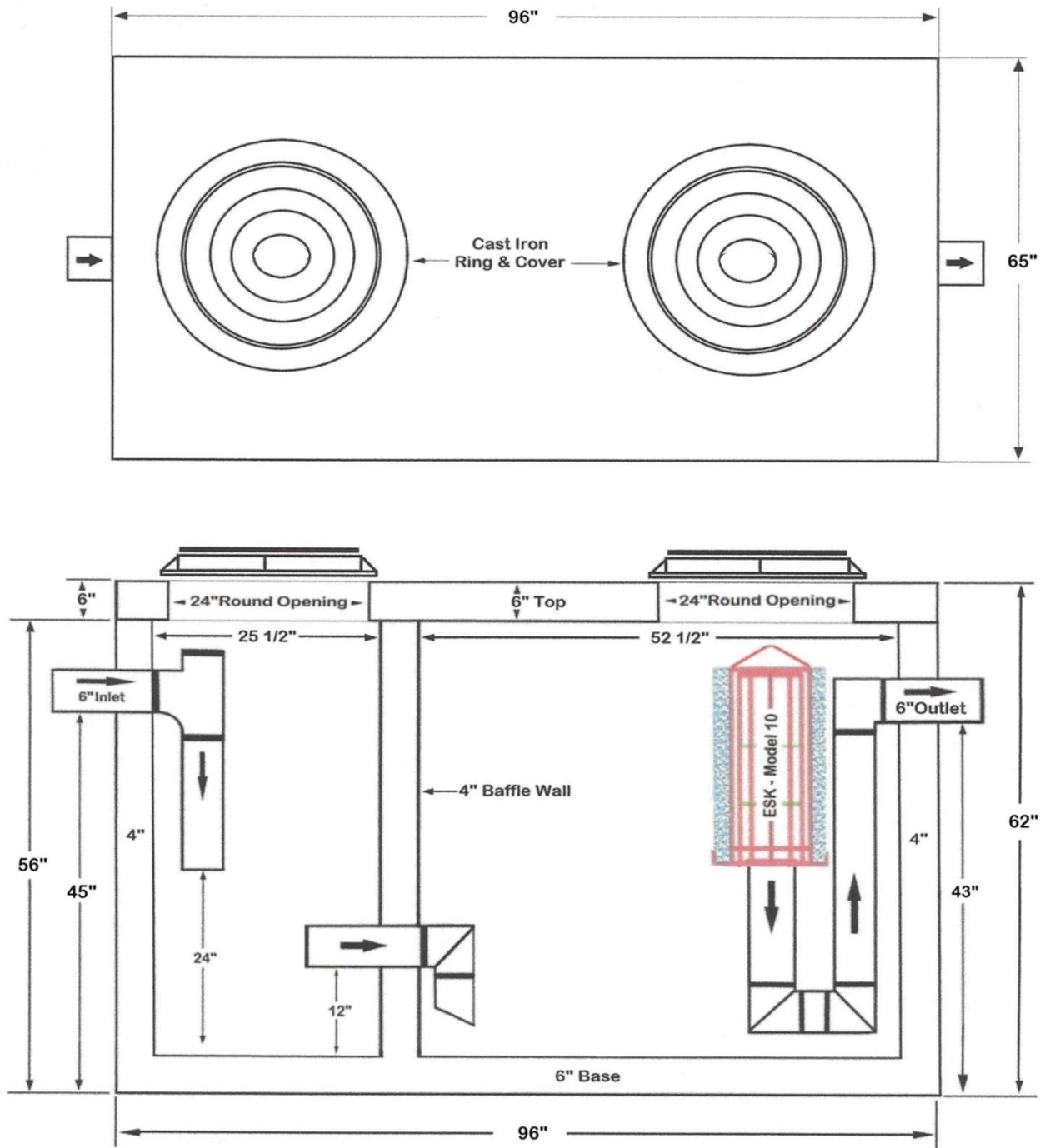
Steel: ASTM A-615 grade 60

Structural Design: AASHTO HS-20



**PRECAST CONCRETE
PRODUCTS LLC.**

1,000GAL OIL/WATER SEPARATORS



SPECIFICATIONS

Manufacturing: ASTM C-913

Concrete: 4,500 PSI at 28 days

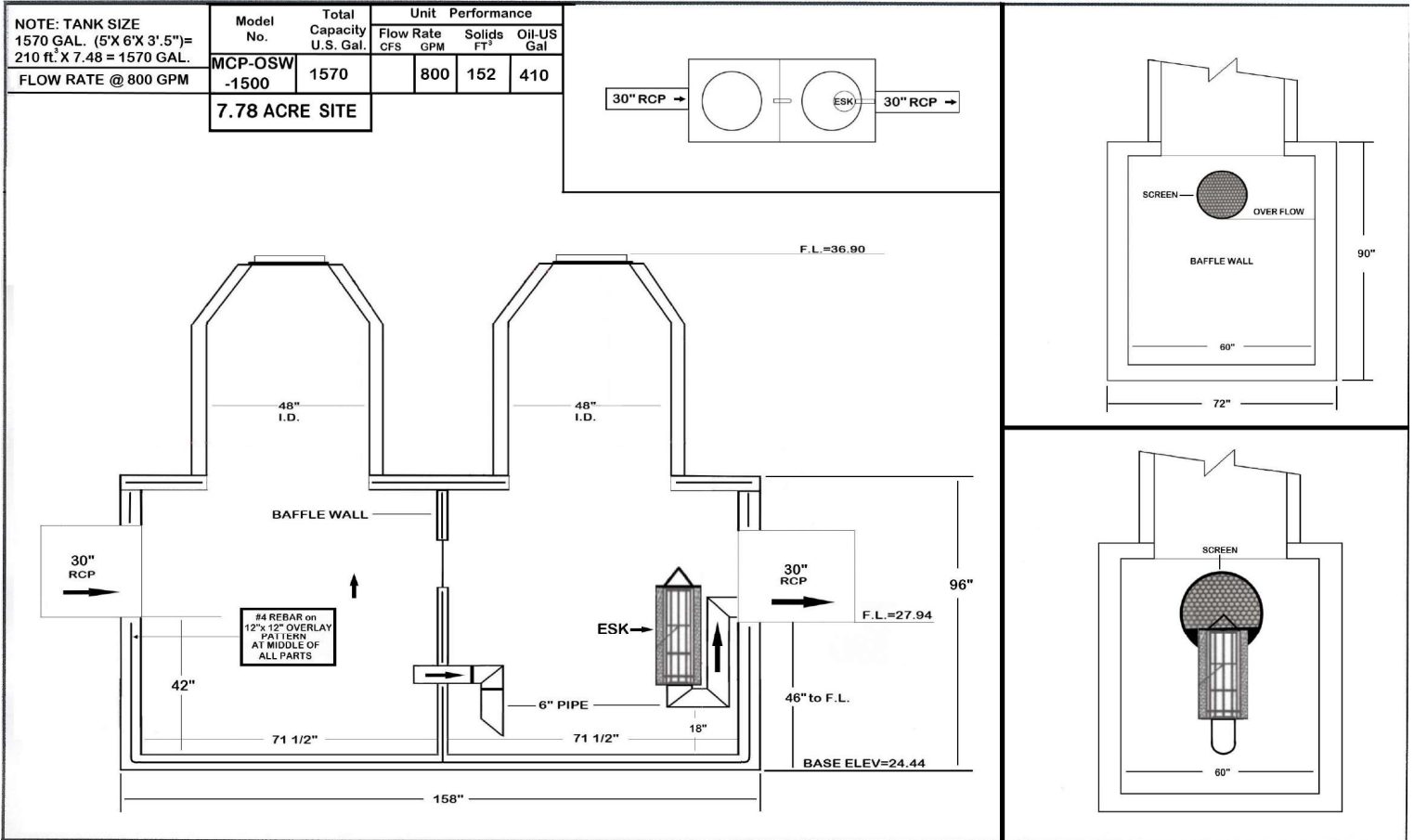
Steel: ASTM A-615 grade 60

Structural Design: AASHTO HS-20



**PRECAST CONCRETE
PRODUCTS LLC.**

1,500GAL OIL/WATER SEPARATORS



SPECIFICATIONS

Manufacturing: ASTM C-913

Concrete: 4,500 PSI at 28 days

Steel: ASTM A-615 grade 60

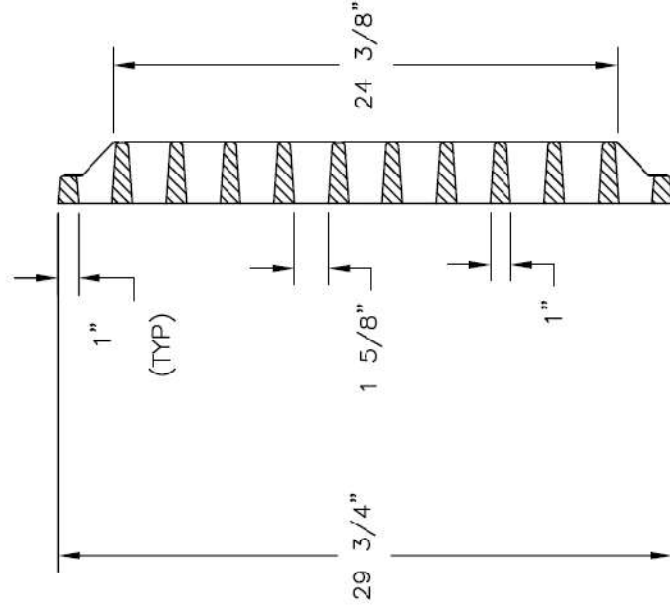
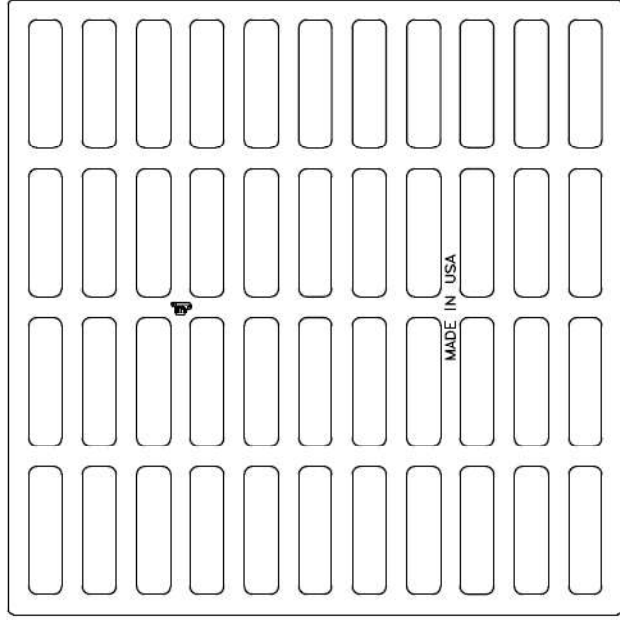
Structural Design: AASHTO HS-20



**PRECAST CONCRETE
PRODUCTS LLC.**

V4880-3

Grate



Product Number

44880330

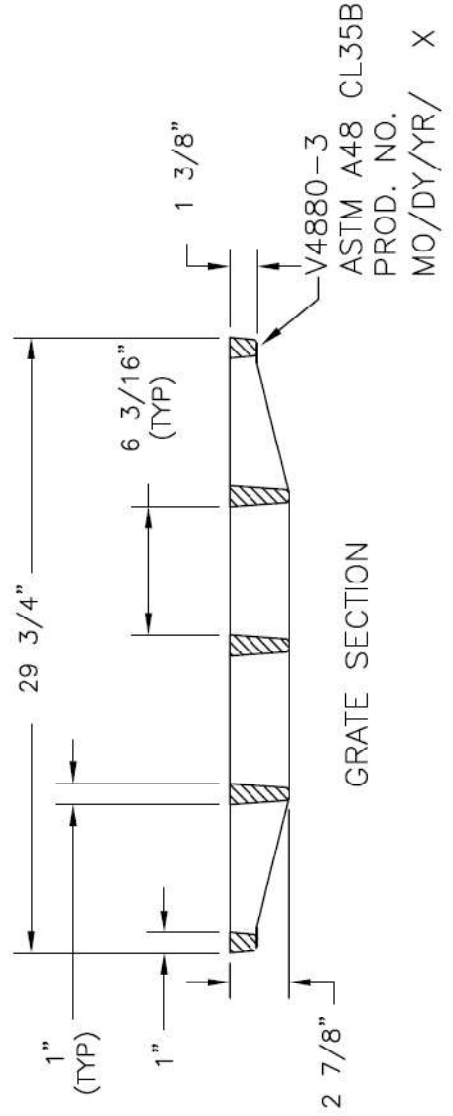
Design Features

- Materials
Gray Iron (CL35B)
- Design Load
Heavy Duty
- Open Area
437 sq In
- Coating
Undipped
- √ Designates Machined Surface

Certification

- ASTM A48
- Country of Origin: USA

GRATE SECTION



Drawing Revision

09/11/2000 Designer: SMH
3/9/2020 Revised By: MAH

Disclaimer

Weights (lbs./kg) dimensions (inches/mm) and drawings provided for your guidance. We reserve the right to modify specifications without prior notice.

CONFIDENTIAL: This drawing is the property of EJ GROUP, Inc. and embodies confidential information, registered marks, patents, trade secret information, and/or know how that is the property of EJ GROUP, Inc. Copyright © 2012 EJ GROUP, Inc. All rights reserved.

Contact

800 626 4653
ejco.com